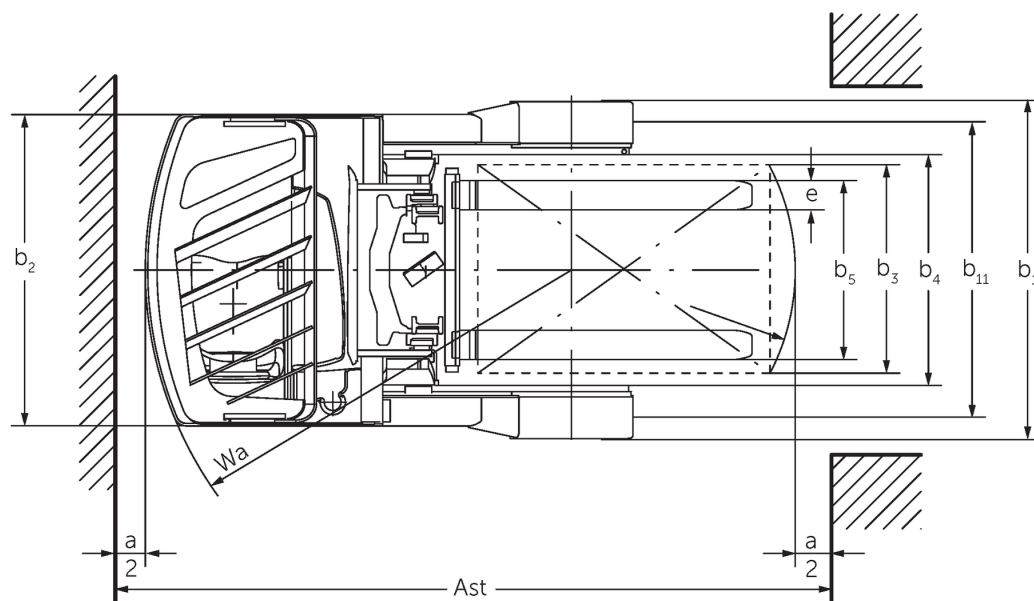
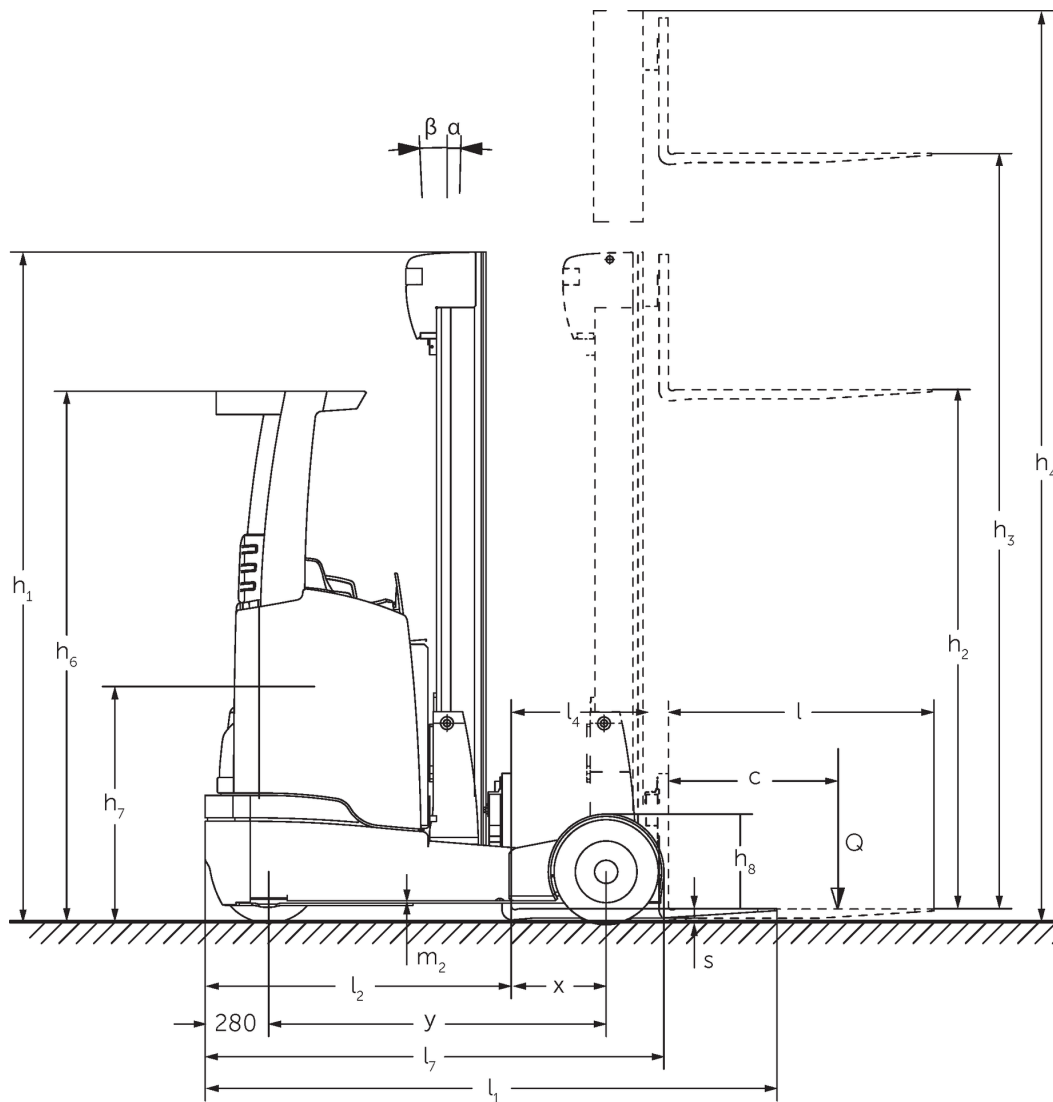




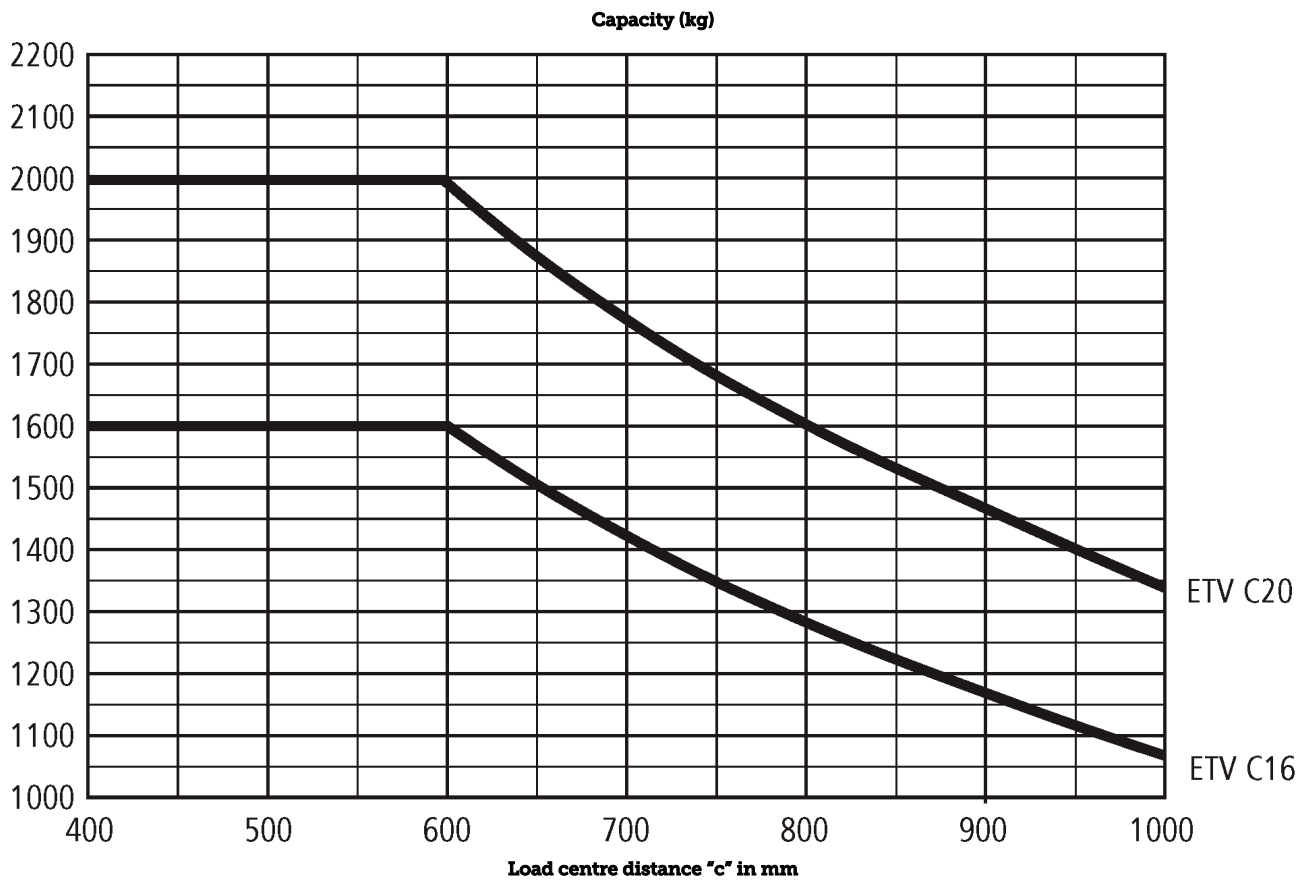
## **Electric reach truck** **ETV C16 / C20**

**Lift height: 4250-7400 mm / Load capacity: 1600-2000 kg**

# ETV C16 / C20



# ETV C16 / C20



# ETV C16 / C20

ETV C16	Lift (h3)	Retracted mast height (h1)	Free lift (h2)	Extended mast height (h4)	Forward/backward tilt of mast
Mast tilt / Triplex mast DZ / hot-rolled	4550 mm	2050 mm	1406 mm	5194 mm	2 / 4 °
	5000 mm	2200 mm	1556 mm	5644 mm	2 / 4 °
	5240 mm	2280 mm	1636 mm	5884 mm	2 / 4 °
	5300 mm	2300 mm	1656 mm	5944 mm	2 / 4 °
	5450 mm	2350 mm	1706 mm	6094 mm	2 / 4 °
	5600 mm	2400 mm	1756 mm	6244 mm	2 / 4 °
	5720 mm	2440 mm	1796 mm	6364 mm	2 / 4 °
	5810 mm	2470 mm	1826 mm	6454 mm	2 / 4 °
	5900 mm	2500 mm	1856 mm	6544 mm	2 / 4 °
	6200 mm	2600 mm	1956 mm	6844 mm	2 / 4 °
	6500 mm	2700 mm	2056 mm	7144 mm	2 / 4 °
	6800 mm	2800 mm	2156 mm	7444 mm	2 / 4 °
	7100 mm	2900 mm	2256 mm	7744 mm	2 / 4 °
ETV C20	Lift (h3)	Retracted mast height (h1)	Free lift (h2)	Extended mast height (h4)	Forward/backward tilt of mast
Mast tilt / Triplex mast DZ / cold-formed	4250 mm	2050 mm	1320 mm	4996 mm	2 / 4 °
	4700 mm	2200 mm	1470 mm	5446 mm	2 / 4 °
	5000 mm	2300 mm	1570 mm	5746 mm	2 / 4 °
	5300 mm	2400 mm	1670 mm	6046 mm	2 / 4 °
	5420 mm	2440 mm	1710 mm	6166 mm	2 / 4 °
	5600 mm	2500 mm	1770 mm	6346 mm	2 / 4 °
	5900 mm	2600 mm	1870 mm	6646 mm	2 / 4 °
	6050 mm	2650 mm	1920 mm	6796 mm	2 / 4 °
	6200 mm	2700 mm	1970 mm	6946 mm	2 / 4 °
	6500 mm	2800 mm	2070 mm	7246 mm	2 / 4 °
	6800 mm	2900 mm	2170 mm	7546 mm	2 / 4 °
	6950 mm	2950 mm	2220 mm	7696 mm	2 / 4 °
	7400 mm	3100 mm	2370 mm	8146 mm	2 / 4 °

# VDI table

Stand-on: 07/2021

Characteristic	1.1	Manufacturer (abbreviated description)			Jungheinrich		
					ETV C16	ETV C20	
Characteristic	1.2	Manufacturer's type designation					
	1.3	Drive			Electric		
	1.4	Operation			Sideways-seated		
	1.5	Load capacity/load	Q	kg	1600	2000	
	1.6	Load centre distance	c	mm	600		
	1.8	Load distance, centre of drive axle to fork	x	mm	400	421	
	1.8.1	Load distance, centre of drive axle to fork, mast extended		mm	290		
	1.9	Wheelbase	y	mm	1460	1520	
	Weights	2.1.1	Service weight (incl. battery)		kg	3640	4010
2.3		Axle load unladen front/rear		kg	2230 / 1410	2410 / 1600	
2.4		Axle load fork forward laden front/rear		kg	670 / 4570	510 / 5500	
2.5		Axle load fork back laden front/rear		kg	1965 / 3275	2146 / 3846	
Wheels/suspension system	3.1	Tyres			SE		
	3.2	Tyre size, front			200 / 50-10		
	3.3	Tyre size, rear			180 / 60-10		
	3.5	Wheels, number front/back (x=driven)			1x / 2		
	3.7	Tread width, rear	b <sub>11</sub>	mm	1210	1240	
Basic dimensions	4.2	Retracted mast height (h1)	h <sub>1</sub>	mm	2300	2400	
	4.3	Free lift (h2)	h <sub>2</sub>	mm	1656	1670	
	4.4	Lift (h3)	h <sub>3</sub>	mm	5300		
	4.5	Extended mast height (h4)	h <sub>4</sub>	mm	5944	6046	
	4.7	Height of overhead guard (cab)	h <sub>6</sub>	mm	2290		
	4.8	Seat height/stand height	h <sub>7</sub>	mm	1166		
	4.10	Height of support arms	h <sub>8</sub>	mm	464		
	4.19	Overall length	l <sub>1</sub>	mm	2484	2524	
	4.19.4	Length including fork length	l <sub>1</sub>	mm	2484	2524	
	4.20	Length including fork shank	l <sub>2</sub>	mm	1320	1360	
	4.21.1	Overall width	b <sub>1</sub>	mm	1382	1409	
	4.21.2	Overall width	b <sub>2</sub>	mm	1270		
	4.22	Fork dimensions	s/e/ l	mm	40 x 120 x 1150	50 x 140 x 1150	
	4.23	Fork carriage connection class			2B		
	4.24	Fork carriage width	b <sub>3</sub>	mm	830		
	4.26	Width between support arms/loading areas	b <sub>4</sub>	mm	940		
	4.28	Reach distance		mm	690	711	
	4.32	Ground clearance centre of wheelbase	m <sub>2</sub>	mm	80		
	Performance data	5.1	Travel speed laden/unladen		km/h	11.8 / 12.2	
		5.2	Lift speed laden/unladen		m/s	0.4 / 0.7	0.32 / 0.6
5.3		Lowering speed laden/unladen		m/s	0.5 / 0.5		
5.4		Reach speed laden/unladen		m/s	0.2 / 0.2	0.15 / 0.15	
5.7		Gradeability laden/unladen		%	7 / 10	6 / 10	
5.8		Max. gradeability laden/unladen		%	10 / 15		
5.9		Acceleration time laden/unladen		s	5.1 / 4.8	5.7 / 5	

	5.10	Service brake		electric	
E-motor/Electronics	6.1	Drive motor, performance S2 60 min	kW	7.5	
	6.2	Lift motor, performance with S3	kW	13.3	
	6.3	Battery according to DIN 43531/35/36		DIN 43531 C	
	6.4	Battery voltage/nominal capacity	V / Ah	48 / 560	
	6.5	Battery weight	kg	937	
	6.6.1	Energy consumption according to EN cycle	kWh/h	3.59	4.28
	6.6.2	CO2 equivalent as per EN 16796	kg/h	1.9	2.3
	6.7	Throughput	t/h	60.19	65.87
	6.8.1	Energy consumption with max. throughput	kWh/h	3.47	3.85
Other	8.1	Type of drive control		3-phase AC	
	10.1	Operating pressure for attachment	bar	150	
	10.2	Oil flow for attachments	l/min	20	
	10.7	Sound level as per EN12053, operator's ear	dB (A)	70	

- This data sheet according to VDI guideline 2198 only states the technical values of the standard truck. Different tyres, other masts, additional equipment etc. may result in different values.

- VDI no. 1.8: the battery size influences the load distance, centre of drive axle to fork x
- VDI no. 2.1.1: the battery size and the mast version influence the service weight and the axle loads
- VDI no. 2.3: the battery size and the mast version influence the service weight and the axle loads
- VDI no. 2.4: the battery size and the mast version influence the service weight and the axle loads
- VDI no. 2.5: the battery size and the mast version influence the service weight and the axle loads
- VDI no. 4.19: the battery size and the fork length influence the overall length l1
- VDI no. 4.20: the battery size influences the length including fork shank l2
- VDI no. 4.28: the battery size influences the reach distance l4
- VDI no. 4.34.1: the battery size influences the aisle widths
- VDI no. 4.34.2: the battery size influences the aisle widths

The German production facilities in  
Norderstedt, Moosburg and Landsberg  
are certified.

ISO 9001  
ISO 14001

Jungheinrich fork lift trucks meet  
European safety requirements.



 **JUNGHEINRICH**