



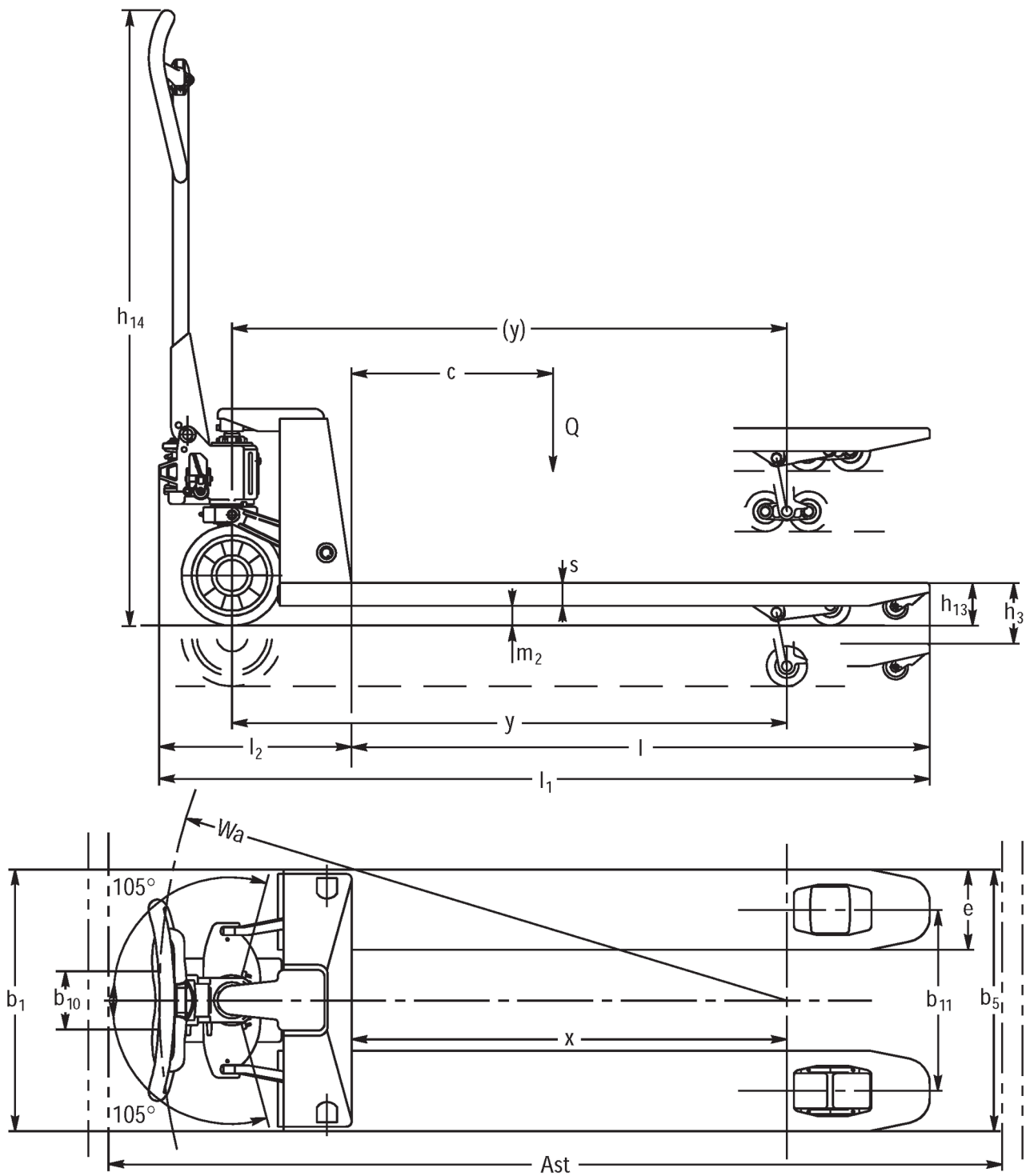
# Hand pallet truck

## AM 30

Lift height: 120 mm / Load capacity: 3000 kg

**JUNGHENRICH**

# AM 30



# VDI table

Stand-on: 07/2021

Characteristic	1.1	Manufacturer (abbreviated description)		Jungheinrich			
	1.2	Manufacturer's type designation		<b>AM 30</b>			
	1.3	Drive		Manual			
	1.4	Operation		Manual			
	1.5	Load capacity/load	Q kg	3000			
	1.6	Load centre distance	c mm	600	1050	900	800
	1.9	Wheelbase	y mm	1174	2054	-	
Weights	2.1	Service weight	kg	86	142	126	124
	2.2	Axle load laden front/rear	kg	815 / 2270	1135 / 2007	-	
	2.3	Axle load unladen front/rear	kg	28 / 58	57 / 85	-	
Wheels/suspension system	3.1	Tyres		V			
	3.2	Tyre size, front		Ø 200 x 50		200	
	3.3	Tyre size, rear		Ø 80 x 70		80 x 70	
	3.5	Wheels, number front/back (x=driven)		2/4		2 / 4	
	3.6	Tread width, front	b <sub>10</sub> mm	116			
	3.7	Tread width, rear	b <sub>11</sub> mm	390			
	Basic dimensions	4.4	Lift (h <sub>3</sub> )	h <sub>3</sub> mm	120		
4.14		Stand height, elevated	h <sub>12</sub> mm	205			
4.15		Height, lowered	h <sub>13</sub> mm	85			
4.19		Overall length	l <sub>1</sub> mm	1603	2483	-	
4.20		Length including fork shank	l <sub>2</sub> mm	383			
4.21.1		Overall width	b <sub>1</sub> mm	550			
4.22		Fork dimensions	s/ e/l mm	45 x 160 x 1220	63 x 160 x 2100	63 x 160 x 1800	63 x 160 x 1600
4.32		Ground clearance centre of wheelbase	m <sub>2</sub> mm	36		-	
4.34		Aisle width (pallet 1000x1200 sideways)	A <sub>st</sub> mm	1803	2683	-	
4.34.1		Aisle width (pallet 800x1200 length)	A <sub>st</sub> mm	1803	2683	-	
4.35	Turning radius	W <sub>a</sub> mm	1319	2184	-		
Performance data	5.3	Lowering speed laden/unladen	m/s	0.09 / 0.05			
- This data sheet according to VDI guideline 2198 only states the technical values of the standard truck. Different tyres, other masts, additional equipment etc. may result in different values.							

The German production facilities in  
Norderstedt, Moosburg and Landsberg  
are certified.

ISO 9001  
ISO 14001

Jungheinrich fork lift trucks meet  
European safety requirements.



 **JUNGHEINRICH**

The Jungheinrich logo, featuring a red upward-pointing arrow above the word 'JUNGHEINRICH' in a bold, black, sans-serif font.