

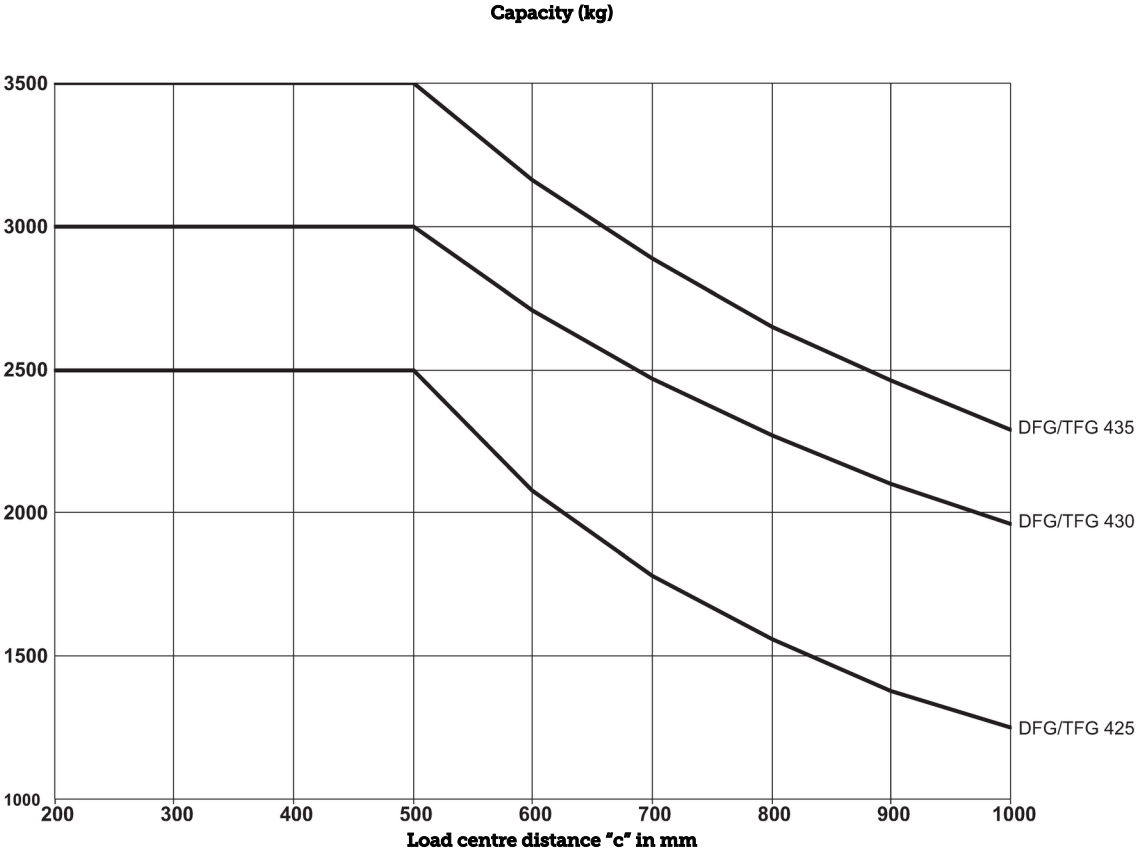


Diesel forklift truck

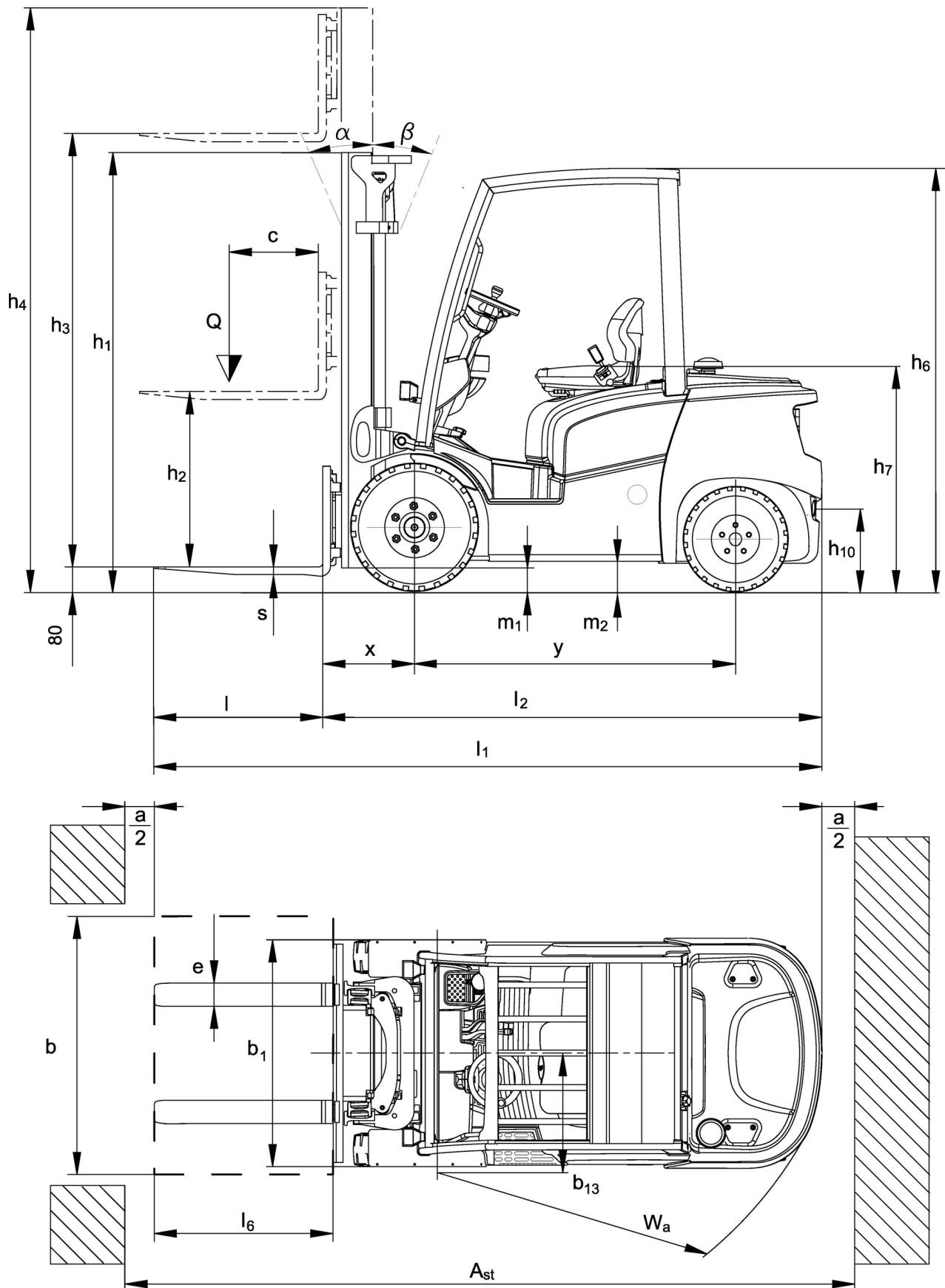
DFG 425-435

Lift height: 2900-7500 mm / Load capacity: 2500-3500 kg

DFG 425-435



DFG 425-435



DFG 425-435

DFG 425	Lift (h3)	Retracted mast height (h1)	Free lift (h2)	Extended mast height (h4)	Forward/backward tilt of mast
Duplex mast ZT	2900 mm	2129 mm	150 mm	3659 mm	6 / 8 °
	3100 mm	2229 mm	150 mm	3859 mm	6 / 8 °
	3300 mm	2329 mm	150 mm	4059 mm	6 / 8 °
	3500 mm	2429 mm	150 mm	4259 mm	6 / 8 °
	3700 mm	2529 mm	150 mm	4459 mm	6 / 8 °
	4000 mm	2679 mm	150 mm	4759 mm	6 / 8 °
	4300 mm	2879 mm	150 mm	5059 mm	6 / 8 °
	4500 mm	2979 mm	150 mm	5259 mm	6 / 8 °
	4700 mm	3079 mm	150 mm	5459 mm	6 / 6 °
	5000 mm	3229 mm	150 mm	5759 mm	6 / 6 °
	5500 mm	3529 mm	150 mm	6259 mm	6 / 6 °
	5800 mm	3679 mm	150 mm	6559 mm	6 / 6 °
	6000 mm	3779 mm	150 mm	6759 mm	6 / 6 °
Duplex mast ZZ	3100 mm	2194 mm	1600 mm	3694 mm	6 / 8 °
	3300 mm	2294 mm	1700 mm	3894 mm	6 / 8 °
	3500 mm	2394 mm	1800 mm	4094 mm	6 / 8 °
	3700 mm	2494 mm	1900 mm	4294 mm	6 / 8 °
	4000 mm	2644 mm	2050 mm	4594 mm	6 / 8 °
Triplex mast DZ	4400 mm	2094 mm	1500 mm	4994 mm	6 / 8 °
	4700 mm	2194 mm	1600 mm	5294 mm	6 / 6 °
	5000 mm	2294 mm	1700 mm	5594 mm	6 / 6 °
	5500 mm	2494 mm	1900 mm	6094 mm	6 / 6 °
	6000 mm	2694 mm	2100 mm	6594 mm	6 / 6 °
	6500 mm	2894 mm	2300 mm	7094 mm	6 / 6 °
	7000 mm	3094 mm	2500 mm	7594 mm	6 / 6 °
	7500 mm	3294 mm	2700 mm	8094 mm	6 / 6 °
DFG 430	Lift (h3)	Retracted mast height (h1)	Free lift (h2)	Extended mast height (h4)	Forward/backward tilt of mast
Duplex mast ZT	2900 mm	2122 mm	150 mm	3657 mm	6 / 8 °
	3100 mm	2222 mm	150 mm	3857 mm	6 / 8 °
	3300 mm	2322 mm	150 mm	4057 mm	6 / 8 °
	3500 mm	2422 mm	150 mm	4257 mm	6 / 8 °
	3700 mm	2522 mm	150 mm	4457 mm	6 / 8 °
	4000 mm	2672 mm	150 mm	4757 mm	6 / 8 °
	4300 mm	2872 mm	150 mm	5057 mm	6 / 8 °
	4500 mm	2972 mm	150 mm	5257 mm	6 / 8 °
	4700 mm	3072 mm	150 mm	5457 mm	6 / 6 °
	5000 mm	3222 mm	150 mm	5757 mm	6 / 6 °
	5500 mm	3522 mm	150 mm	6257 mm	6 / 6 °
	5800 mm	3672 mm	150 mm	6557 mm	6 / 6 °
	6000 mm	3772 mm	150 mm	6757 mm	6 / 6 °
Duplex mast ZZ	3100 mm	2187 mm	1450 mm	3837 mm	6 / 8 °
	3300 mm	2287 mm	1550 mm	4037 mm	6 / 8 °
	3500 mm	2387 mm	1650 mm	4237 mm	6 / 8 °
	3700 mm	2487 mm	1750 mm	4437 mm	6 / 8 °
	4000 mm	2637 mm	1900 mm	4737 mm	6 / 8 °
Triplex mast DZ	4400 mm	2087 mm	1350 mm	5137 mm	6 / 8 °
	4700 mm	2187 mm	1450 mm	5437 mm	6 / 6 °

5000 mm	2287 mm	1550 mm	5737 mm	6 / 6 °	
5500 mm	2487 mm	1750 mm	6237 mm	6 / 6 °	
6000 mm	2687 mm	1950 mm	6737 mm	6 / 6 °	
6500 mm	2887 mm	2150 mm	7237 mm	6 / 6 °	
7000 mm	3087 mm	2350 mm	7737 mm	6 / 6 °	
7500 mm	3287 mm	2550 mm	8237 mm	6 / 6 °	
DFG 435	Lift (h3)	Retracted mast height (h1)	Free lift (h2)	Extended mast height (h4)	Forward/backward tilt of mast
Duplex mast ZT	2900 mm	2201 mm	150 mm	3685 mm	6 / 8 °
	3100 mm	2301 mm	150 mm	3885 mm	6 / 8 °
	3300 mm	2401 mm	150 mm	4085 mm	6 / 8 °
	3500 mm	2501 mm	150 mm	4285 mm	6 / 8 °
	3700 mm	2601 mm	150 mm	4485 mm	6 / 8 °
	4000 mm	2751 mm	150 mm	4785 mm	6 / 8 °
	4300 mm	2951 mm	150 mm	5085 mm	6 / 8 °
	4500 mm	3051 mm	150 mm	5285 mm	6 / 6 °
	4700 mm	3151 mm	150 mm	5485 mm	6 / 6 °
	5000 mm	3301 mm	150 mm	5785 mm	6 / 6 °
	5500 mm	3601 mm	150 mm	6285 mm	6 / 6 °
	5800 mm	3751 mm	150 mm	6585 mm	6 / 6 °
	6000 mm	3851 mm	150 mm	6785 mm	6 / 6 °
Duplex mast ZZ	2900 mm	2170 mm	1400 mm	3670 mm	6 / 8 °
	3100 mm	2266 mm	1501 mm	3865 mm	6 / 8 °
	3300 mm	2366 mm	1601 mm	4065 mm	6 / 8 °
	3500 mm	2466 mm	1701 mm	4265 mm	6 / 8 °
	3700 mm	2566 mm	1801 mm	4465 mm	6 / 8 °
	4000 mm	2716 mm	1951 mm	4765 mm	6 / 8 °
Triplex mast DZ	4250 mm	2120 mm	1350 mm	5020 mm	6 / 6 °
	4400 mm	2166 mm	1401 mm	5165 mm	6 / 6 °
	4700 mm	2266 mm	1501 mm	5465 mm	6 / 6 °
	5000 mm	2366 mm	1601 mm	5765 mm	6 / 6 °
	5500 mm	2566 mm	1801 mm	6265 mm	6 / 6 °
	6000 mm	2766 mm	2001 mm	6765 mm	6 / 6 °
	6500 mm	2966 mm	2201 mm	7265 mm	6 / 6 °
	7000 mm	3166 mm	2401 mm	7765 mm	6 / 6 °
	7500 mm	3366 mm	2601 mm	8265 mm	6 / 6 °

VDI table

Stand-on: 10/2020

Characteristic	1.1	Manufacturer (abbreviated description)	Jungheinrich			
	1.2	Manufacturer's type designation	DFG 425	DFG 430	DFG 435	
	1.3	Drive	Diesel			
	1.4	Operation	Seat			
	1.5	Load capacity/load	Q kg	2500	3000	3500
	1.6	Load centre distance	c mm	500		
	1.8	Load distance, centre of drive axle to fork	x mm	472	493	498
	1.9	Wheelbase	y mm	1650	1700	1780
Weights	2.1	Service weight	kg	3660	4190	4570
	2.2	Axle load laden front/rear	kg	5480 / 680	6390 / 800	7170 / 900
	2.3	Axle load unladen front/rear	kg	1510 / 2150	1640 / 2550	1710 / 2860
Wheels/suspension system	3.1	Tyres	AIR			
	3.2	Tyre size, front	7.00-12	27x10-12		
	3.3	Tyre size, rear	6.00x9	6.50x10		
	3.5	Wheels, number front/back (x=driven)	2x/2			
	3.6	Tread width, front	b ₁₀ mm	990	1034	
	3.7	Tread width, rear	b ₁₁ mm	940		
	Basic dimensions	4.2	Retracted mast height (h1)	h ₁ mm	2129	2122
4.3		Free lift (h2)	h ₂ mm	150		
4.4		Lift (h3)	h ₃ mm	2900		
4.5		Extended mast height (h4)	h ₄ mm	3659	3657	3685
4.7		Height of overhead guard (cab)	h ₆ mm	2175	2180	
4.8		Seat height/stand height	h ₇ mm	1130	1135	
4.12		Coupling height	h ₁₀ mm	420	430	
4.19		Overall length	l ₁ mm	3617	3768	3863
4.20		Length including fork shank	l ₂ mm	2567	2718	2813
4.21.1		Overall width	b ₁ mm	1192	1296	
4.22		Fork dimensions	s/e/l mm	40 / 100 / 1050	45 / 125 / 1050	50 / 125 / 1050
4.23		Fork carriage connection class		2A	3A	
4.24		Fork carriage width	b ₃ mm	1120		
4.31		Ground clearance laden under mast	m ₁ mm	106	104	131
4.32		Ground clearance centre of wheelbase	m ₂ mm	141	155	153
4.34		Aisle width (pallet 1000x1200 sideways)	A _{st} mm	3987	4133	4248
4.34.1		Aisle width (pallet 800x1200 length)	A _{st} mm	4187	4333	4448
4.35		Turning radius	W _a mm	2315	2440	2550
4.36	Smallest pivot point distance	b ₁₃ mm	720	730	750	
Performance data	5.1	Travel speed laden/unladen	km/h	17 / 18		
	5.2	Lift speed laden/unladen	m/s	0.55 / 0.57	0.58 / 0.6	0.48 / 0.5
	5.3	Lowering speed laden/unladen	m/s	0.55 / 0.55		
	5.5	Drawbar pull laden/unladen	N	18000 /		
	5.7	Gradeability laden/unladen	%	24 / 27	20 / 26	18 / 24
	5.9	Acceleration time laden/unladen	s	5.4 / 4.8	5.6 / 4.8	5.8 / 5
	5.10	Service brake		hydraulic		
	5.11	Parking brake		hydraulic		

C motor	7.1	Motor manufacturer/type		Kubota V2403-M-T		
	7.2	Motor power as per DIN ISO 1585	kW	36.5		
	7.3	Rated speed	1/min	2200		
	7.4	Cylinder number/cubic capacity	st / cm ³	4 / 2434		
	7.5.1	Fuel consumption as per EN 16796 (diesel)	l/h	3	3.3	3.5
	7.5.2	CO2 equivalent as per EN 16796 (diesel)	kg/h	9.53	10.48	11.12
Other	8.1	Type of drive control		hydrodynamic		
	10.1	Operating pressure for attachment	bar	210		
	10.2	Oil flow for attachments	l/min	40		
	10.5	Steering version		hydraulic		
	10.7	Sound level as per EN12053, operator's ear	dB (A)	82		
	10.8	Trailer coupling, model/type DIN		Bolts		
<p>- This data sheet according to VDI guideline 2198 only states the technical values of the standard truck. Different tyres, other masts, additional equipment etc. may result in different values.</p>						

- 1.8: DFG 425 + 12 mm with integrated sideshift - 1.8: DFG 430 + 15 mm with integrated sideshift - 1.8: DFG 435 + 15 mm with integrated sideshift

The German production facilities in
Norderstedt, Moosburg and Landsberg
are certified.

ISO 9001
ISO 14001

Jungheinrich fork lift trucks meet
European safety requirements.



 **JUNGHEINRICH**

The Jungheinrich logo, featuring a red upward-pointing arrow integrated into the letter 'J', followed by the brand name 'JUNGHEINRICH' in a bold, black, sans-serif font.