

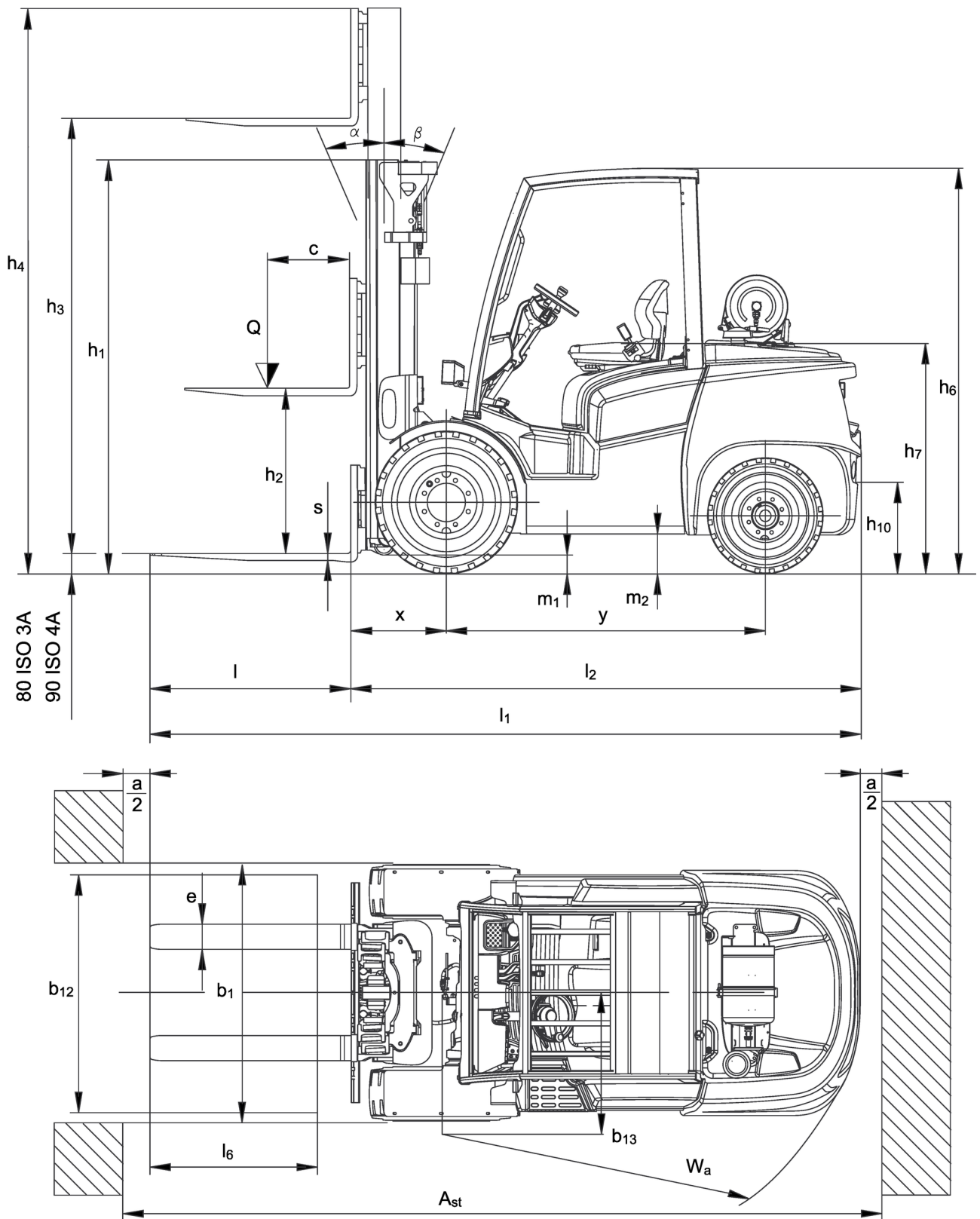


LPG forklift truck

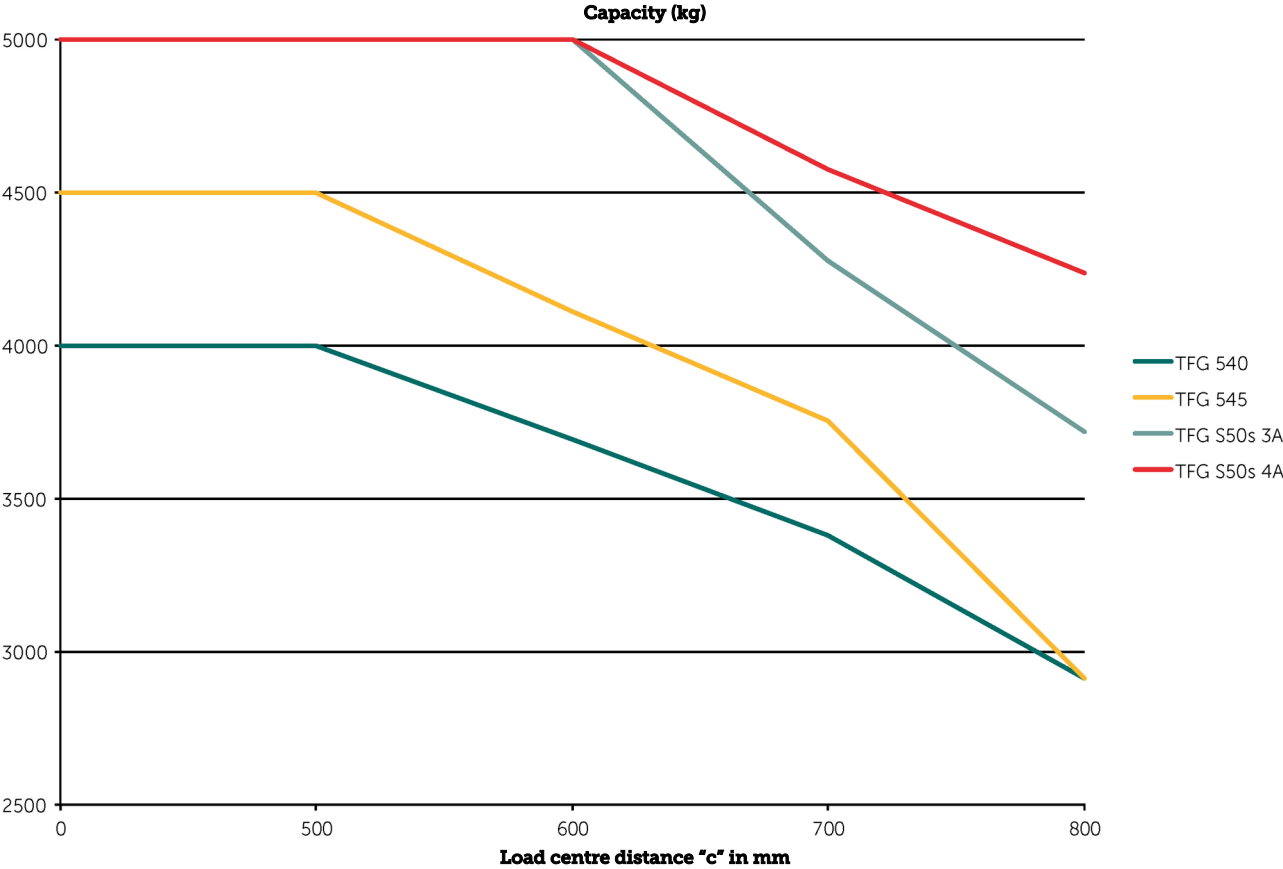
TFG 540-S50

Lift height: 2480-7500 mm / Capacity: 4000-5000 kg

TFG 540-S50



TFG 540-S50



TFG 540-S50

TFG 540	Lift (h3)	Retracted mast height (h1)	Free lift (h2)	Extended mast height (h4)	Tilt of mast forwards/backwards
Duplex mast ZT / Including 3 A fork carriage with 4 rollers (standard)	2750 mm	2165 mm	150 mm	3465 mm	6 ° / 8 °
	2900 mm	2240 mm	150 mm	3615 mm	6 ° / 8 °
	3100 mm	2348 mm	150 mm	3823 mm	6 ° / 8 °
	3300 mm	2440 mm	150 mm	4015 mm	6 ° / 8 °
	3500 mm	2548 mm	150 mm	4223 mm	6 ° / 8 °
	3700 mm	2640 mm	150 mm	4415 mm	6 ° / 8 °
	4000 mm	2795 mm	150 mm	4720 mm	6 ° / 8 °
	4300 mm	2940 mm	150 mm	5015 mm	6 ° / 8 °
	4500 mm	3040 mm	150 mm	5215 mm	6 ° / 8 °
	5000 mm	3290 mm	150 mm	5715 mm	6 ° / 6 °
	5500 mm	3540 mm	150 mm	6215 mm	6 ° / 6 °
	6000 mm	3790 mm	150 mm	6715 mm	6 ° / 6 °
	6500 mm	4040 mm	150 mm	7215 mm	6 ° / 6 °
Duplex mast ZT / Suitable for 3 A fork carriage with 6 rollers (option) / suitable for integrated sideshift with 6 rollers (option)	2750 mm	2165 mm	150 mm	3608 mm	6 ° / 8 °
	2900 mm	2240 mm	150 mm	3758 mm	6 ° / 8 °
	3100 mm	2348 mm	150 mm	3958 mm	6 ° / 8 °
	3300 mm	2440 mm	150 mm	4158 mm	6 ° / 8 °
	3500 mm	2548 mm	150 mm	4358 mm	6 ° / 8 °
	3700 mm	2640 mm	150 mm	4558 mm	6 ° / 8 °
	4000 mm	2795 mm	150 mm	4858 mm	6 ° / 8 °
	4300 mm	2940 mm	150 mm	5158 mm	6 ° / 8 °
	4500 mm	3040 mm	150 mm	5358 mm	6 ° / 8 °
	5000 mm	3290 mm	150 mm	5858 mm	6 ° / 6 °
	5500 mm	3540 mm	150 mm	6358 mm	6 ° / 6 °
	6000 mm	3790 mm	150 mm	6858 mm	6 ° / 6 °
	6500 mm	4040 mm	150 mm	7358 mm	6 ° / 6 °
Duplex mast ZZ / Including 3 A fork carriage with 4 rollers (standard)	2775 mm	2140 mm	1382 mm	3533 mm	6 ° / 8 °
	3142 mm	2323 mm	1565 mm	3900 mm	6 ° / 8 °
	3342 mm	2423 mm	1665 mm	4100 mm	6 ° / 8 °
	3542 mm	2523 mm	1765 mm	4300 mm	6 ° / 8 °
	3675 mm	2590 mm	1832 mm	4433 mm	6 ° / 8 °
	4035 mm	2770 mm	2012 mm	4793 mm	6 ° / 8 °
	4395 mm	2950 mm	2192 mm	5153 mm	6 ° / 8 °
	5095 mm	3300 mm	2542 mm	5853 mm	6 ° / 6 °
	5524 mm	3515 mm	2757 mm	6282 mm	6 ° / 6 °
Duplex mast ZZ / Suitable for 3 A fork carriage with 6 rollers (option) / suitable for integrated sideshift with 6 rollers (option)	2775 mm	2140 mm	1232 mm	3683 mm	6 ° / 8 °
	3142 mm	2323 mm	1415 mm	4050 mm	6 ° / 8 °
	3342 mm	2423 mm	1515 mm	4250 mm	6 ° / 8 °
	3542 mm	2523 mm	1615 mm	4450 mm	6 ° / 8 °
	3675 mm	2590 mm	1682 mm	4583 mm	6 ° / 8 °
	4035 mm	2770 mm	1862 mm	4943 mm	6 ° / 8 °
	4395 mm	2950 mm	2042 mm	5303 mm	6 ° / 8 °
	5095 mm	3300 mm	2392 mm	6003 mm	6 ° / 6 °
	5524 mm	3515 mm	2607 mm	6432 mm	6 ° / 6 °
Triplex mast DZ / Including 3 A fork carriage with 4 rollers (standard)	4150 mm	2140 mm	1382 mm	4908 mm	6 ° / 8 °
	4400 mm	2223 mm	1465 mm	5158 mm	6 ° / 8 °
	4700 mm	2323 mm	1565 mm	5458 mm	6 ° / 8 °

	5000 mm	2423 mm	1665 mm	5758 mm	6° / 6°
	5500 mm	2590 mm	1832 mm	6258 mm	6° / 6°
	6000 mm	2770 mm	2012 mm	6758 mm	6° / 6°
	6500 mm	2950 mm	2170 mm	7280 mm	6° / 6°
	7000 mm	3120 mm	2350 mm	7770 mm	6° / 6°
	7500 mm	3300 mm	2490 mm	8310 mm	6° / 6°
Triplex mast DZ / Suitable for 3 A fork carriage with 6 rollers (option) / suitable for integrated sideshift with 6 rollers (option)	4150 mm	2140 mm	1232 mm	5058 mm	6° / 8°
	4400 mm	2223 mm	1315 mm	5308 mm	6° / 8°
	4700 mm	2323 mm	1415 mm	5608 mm	6° / 8°
	5000 mm	2423 mm	1515 mm	5908 mm	6° / 6°
	5500 mm	2590 mm	1682 mm	6408 mm	6° / 6°
	6000 mm	2770 mm	1862 mm	6908 mm	6° / 6°
	6500 mm	2950 mm	2042 mm	7408 mm	6° / 6°
	7000 mm	3120 mm	2212 mm	7908 mm	6° / 6°
	7500 mm	3300 mm	2392 mm	8408 mm	6° / 6°
TFG 545	Lift (h3)	Retracted mast height (h1)	Free lift (h2)	Extended mast height (h4)	Tilt of mast forwards/backwards
Duplex mast ZT / Including 3 A fork carriage with 4 rollers (standard)	2750 mm	2165 mm	150 mm	3465 mm	6° / 8°
	2900 mm	2240 mm	150 mm	3615 mm	6° / 8°
	3100 mm	2348 mm	150 mm	3823 mm	6° / 8°
	3300 mm	2440 mm	150 mm	4015 mm	6° / 8°
	3500 mm	2548 mm	150 mm	4223 mm	6° / 8°
	3700 mm	2640 mm	150 mm	4415 mm	6° / 8°
	4000 mm	2795 mm	150 mm	4720 mm	6° / 8°
	4300 mm	2940 mm	150 mm	5015 mm	6° / 8°
	4500 mm	3040 mm	150 mm	5215 mm	6° / 8°
	5000 mm	3290 mm	150 mm	5715 mm	6° / 6°
	5500 mm	3540 mm	150 mm	6215 mm	6° / 6°
	6000 mm	3790 mm	150 mm	6715 mm	6° / 6°
	6500 mm	4040 mm	150 mm	7215 mm	6° / 6°
Duplex mast ZT / Suitable for 3 A fork carriage with 6 rollers (option) / suitable for integrated sideshift with 6 rollers (option)	2750 mm	2165 mm	150 mm	3608 mm	6° / 8°
	2900 mm	2240 mm	150 mm	3758 mm	6° / 8°
	3100 mm	2348 mm	150 mm	3958 mm	6° / 8°
	3300 mm	2440 mm	150 mm	4158 mm	6° / 8°
	3500 mm	2548 mm	150 mm	4358 mm	6° / 8°
	3700 mm	2640 mm	150 mm	4558 mm	6° / 8°
	4000 mm	2795 mm	150 mm	4858 mm	6° / 8°
	4300 mm	2940 mm	150 mm	5158 mm	6° / 8°
	4500 mm	3040 mm	150 mm	5358 mm	6° / 8°
	5000 mm	3290 mm	150 mm	5858 mm	6° / 6°
	5500 mm	3540 mm	150 mm	6358 mm	6° / 6°
	6000 mm	3790 mm	150 mm	6858 mm	6° / 6°
	6500 mm	4040 mm	150 mm	7358 mm	6° / 6°
Duplex mast ZZ / Including 3 A fork carriage with 4 rollers (standard)	2775 mm	2140 mm	1382 mm	3533 mm	6° / 8°
	3142 mm	2323 mm	1565 mm	3900 mm	6° / 8°
	3342 mm	2423 mm	1665 mm	4100 mm	6° / 8°
	3542 mm	2523 mm	1765 mm	4300 mm	6° / 8°
	3675 mm	2590 mm	1832 mm	4433 mm	6° / 8°
	4035 mm	2770 mm	2012 mm	4793 mm	6° / 8°
	4395 mm	2950 mm	2192 mm	5153 mm	6° / 8°
	5095 mm	3300 mm	2542 mm	5853 mm	6° / 6°
	5524 mm	3515 mm	2757 mm	6282 mm	6° / 6°

Duplex mast ZZ / Suitable for 3 A fork carriage with 6 rollers (option) / suitable for integrated sideshift with 6 rollers (option)	2775 mm	2140 mm	1232 mm	3683 mm	6 ° / 8 °
	3142 mm	2323 mm	1415 mm	4050 mm	6 ° / 8 °
	3342 mm	2423 mm	1515 mm	4250 mm	6 ° / 8 °
	3542 mm	2523 mm	1615 mm	4450 mm	6 ° / 8 °
	3675 mm	2590 mm	1682 mm	4583 mm	6 ° / 8 °
	4035 mm	2770 mm	1862 mm	4943 mm	6 ° / 8 °
	4395 mm	2950 mm	2042 mm	5303 mm	6 ° / 8 °
	5095 mm	3300 mm	2392 mm	6003 mm	6 ° / 6 °
	5524 mm	3515 mm	2607 mm	6432 mm	6 ° / 6 °
	Triplex mast DZ / Including 3 A fork carriage with 4 rollers (standard)	4150 mm	2140 mm	1382 mm	4908 mm
4400 mm		2223 mm	1465 mm	5158 mm	6 ° / 8 °
4700 mm		2323 mm	1565 mm	5458 mm	6 ° / 8 °
5000 mm		2423 mm	1665 mm	5758 mm	6 ° / 6 °
5500 mm		2590 mm	1832 mm	6258 mm	6 ° / 6 °
6000 mm		2770 mm	2012 mm	6758 mm	6 ° / 6 °
6500 mm		2950 mm	2170 mm	7280 mm	6 ° / 6 °
7500 mm		3300 mm	2490 mm	8310 mm	6 ° / 6 °
Triplex mast DZ / Suitable for 3 A fork carriage with 6 rollers (option) / suitable for integrated sideshift with 6 rollers (option)	4150 mm	2140 mm	1232 mm	5058 mm	6 ° / 8 °
	4400 mm	2223 mm	1315 mm	5308 mm	6 ° / 8 °
	4700 mm	2323 mm	1415 mm	5608 mm	6 ° / 8 °
	5000 mm	2423 mm	1515 mm	5908 mm	6 ° / 6 °
	5500 mm	2590 mm	1682 mm	6408 mm	6 ° / 6 °
	6000 mm	2770 mm	1862 mm	6908 mm	6 ° / 6 °
	6500 mm	2950 mm	2042 mm	7408 mm	6 ° / 6 °
	7500 mm	3300 mm	2392 mm	8408 mm	6 ° / 6 °
TFG S50	Lift (h3)	Retracted mast height (h1)	Free lift (h2)	Extended mast height (h4)	Tilt of mast forwards/backwards
Duplex mast ZT / Including 4 A fork carriage with 6 rollers (standard)	2480 mm	2165 mm	150 mm	3453 mm	6 ° / 8 °
	2846 mm	2348 mm	150 mm	3819 mm	6 ° / 8 °
	3030 mm	2440 mm	150 mm	4003 mm	6 ° / 8 °
	3246 mm	2548 mm	150 mm	4219 mm	6 ° / 8 °
	3430 mm	2640 mm	150 mm	4403 mm	6 ° / 8 °
	3740 mm	2795 mm	150 mm	4713 mm	6 ° / 8 °
	4030 mm	2940 mm	150 mm	5003 mm	6 ° / 8 °
	4230 mm	3040 mm	150 mm	5203 mm	6 ° / 8 °
	4730 mm	3290 mm	150 mm	5703 mm	6 ° / 8 °
	5230 mm	3540 mm	150 mm	6203 mm	6 ° / 6 °
	5730 mm	3790 mm	150 mm	6703 mm	6 ° / 6 °
	6230 mm	4040 mm	150 mm	7203 mm	6 ° / 6 °
Duplex mast ZT / Suitable for 3 A fork carriage with 6 rollers (option) / suitable for integrated sideshift 4 A with 6 rollers (option)	2750 mm	2165 mm	150 mm	3608 mm	6 ° / 8 °
	2900 mm	2240 mm	150 mm	3758 mm	6 ° / 8 °
	3100 mm	2348 mm	150 mm	3958 mm	6 ° / 8 °
	3300 mm	2440 mm	150 mm	4158 mm	6 ° / 8 °
	3500 mm	2548 mm	150 mm	4358 mm	6 ° / 8 °
	3700 mm	2640 mm	150 mm	4558 mm	6 ° / 8 °
	4000 mm	2795 mm	150 mm	4858 mm	6 ° / 8 °
	4300 mm	2940 mm	150 mm	5158 mm	6 ° / 8 °
	4500 mm	3040 mm	150 mm	5358 mm	6 ° / 8 °
	5000 mm	3290 mm	150 mm	5858 mm	6 ° / 6 °
5500 mm	3540 mm	150 mm	6358 mm	6 ° / 6 °	

	6000 mm	3790 mm	150 mm	6858 mm	6 ° / 6 °
	6500 mm	4040 mm	150 mm	7358 mm	6 ° / 6 °
Duplex mast ZZ / Including 4 A fork carriage with 6 rollers (standard)	2570 mm	2140 mm	1117 mm	3593 mm	6 ° / 8 °
	2932 mm	2323 mm	1300 mm	3955 mm	6 ° / 8 °
	3132 mm	2423 mm	1400 mm	4155 mm	6 ° / 8 °
	3332 mm	2523 mm	1500 mm	4355 mm	6 ° / 8 °
	3465 mm	2590 mm	1567 mm	4488 mm	6 ° / 8 °
	3825 mm	2770 mm	1747 mm	4848 mm	6 ° / 8 °
	4185 mm	2950 mm	1927 mm	5208 mm	6 ° / 8 °
	4885 mm	3300 mm	2277 mm	5908 mm	6 ° / 6 °
	5314 mm	3515 mm	2492 mm	6337 mm	6 ° / 6 °
Duplex mast ZZ / Suitable for 3 A fork carriage with 6 rollers (option) / suitable for integrated sideshift 4 A with 6 rollers (option)	2725 mm	2140 mm	1232 mm	3633 mm	6 ° / 8 °
	3092 mm	2323 mm	1415 mm	4000 mm	6 ° / 8 °
	3292 mm	2423 mm	1515 mm	4200 mm	6 ° / 8 °
	3492 mm	2523 mm	1615 mm	4400 mm	6 ° / 8 °
	3625 mm	2590 mm	1682 mm	4533 mm	6 ° / 8 °
	3985 mm	2770 mm	1862 mm	4893 mm	6 ° / 8 °
	4345 mm	2950 mm	2042 mm	5253 mm	6 ° / 8 °
	5045 mm	3300 mm	2392 mm	5953 mm	6 ° / 6 °
	5474 mm	3515 mm	2607 mm	6382 mm	6 ° / 6 °
Triplex mast DZ / Including 4 A fork carriage with 6 rollers (standard)	3875 mm	2140 mm	1117 mm	4898 mm	6 ° / 8 °
	4120 mm	2223 mm	1200 mm	5143 mm	6 ° / 8 °
	4420 mm	2323 mm	1300 mm	5443 mm	6 ° / 8 °
	4720 mm	2423 mm	1400 mm	5743 mm	6 ° / 6 °
	5220 mm	2590 mm	1567 mm	6243 mm	6 ° / 6 °
	5750 mm	2770 mm	1747 mm	6773 mm	6 ° / 6 °
	6280 mm	2950 mm	1927 mm	7303 mm	6 ° / 6 °
	6780 mm	3120 mm	2097 mm	7803 mm	6 ° / 6 °
	7320 mm	3300 mm	2277 mm	8343 mm	6 ° / 6 °
Triplex mast DZ / Suitable for 3 A fork carriage with 6 rollers (option) / suitable for integrated sideshift 4 A with 6 rollers (option)	4050 mm	2140 mm	1232 mm	4958 mm	6 ° / 8 °
	4300 mm	2223 mm	1315 mm	5208 mm	6 ° / 8 °
	4600 mm	2323 mm	1415 mm	5508 mm	6 ° / 6 °
	4900 mm	2423 mm	1515 mm	5808 mm	6 ° / 6 °
	5400 mm	2590 mm	1682 mm	6308 mm	6 ° / 6 °
	5930 mm	2770 mm	1862 mm	6838 mm	6 ° / 6 °
	6460 mm	2950 mm	2042 mm	7368 mm	6 ° / 6 °
	6960 mm	3120 mm	2212 mm	7868 mm	6 ° / 6 °
	7500 mm	3300 mm	2392 mm	8408 mm	6 ° / 6 °

VDI table

Stand-on: 12/2019

Characteristic	1.1	Manufacturer (abbreviated description)	Jungheinrich			
	1.2	Manufacturer's type designation	TFG 540	TFG 545	TFG S50	
	1.3	Drive	LPG			
	1.4	Operation	Seat			
	1.5	Capacity/load	Q kg	4.000	4.500	5.000
	1.6	Load centre distance	c mm	500		600
	1.8	Load distance, centre of drive axle to fork	x mm	564		579
	1.9	Wheelbase	y mm	1.850	1.925	2.000
Weights	2.1	Service weight	kg	6.090	6.480	7.360
	2.2	Axle load laden front/rear	kg	8.950 / 1.140	9.780 / 1.200	10.930 / 1.430
	2.3	Axle load unladen front/rear	kg	2.650 / 3.440	2.790 / 3.690	2.980 / 4.380
Wheels/suspension system	3.1	Tyres	AIR			
	3.2	Tyre size, front	300-15			
	3.3	Tyre size, rear	7.00-12			
	3.5	Wheels, number front/back (x=driven)	2x/2			
	3.6	Tread width, front	b ₁₀ mm	1.160		
	3.7	Tread width, rear	b ₁₁ mm	1.150		
	Basic dimensions	4.1	Tilt of mast forwards/backwards	a/β °	6 / 8	
4.2		Retracted mast height (h1)	h ₁ mm	2.240	2.348	
4.3		Free lift (h2)	h ₂ mm	150		
4.4		Lift (h3)	h ₃ mm	2.900	2.846	
4.5		Extended mast height (h4)	h ₄ mm	3.615	3.819	
4.7		Height of overhead guard (cab)	h ₆ mm	2.330		
4.8		Seat height/stand height	h ₇ mm	1.245		
4.12		Coupling height	h ₁₀ mm	535		
4.19		Overall length	l ₁ mm	4.120	4.250	4.320
4.20		Length including fork shank	l ₂ mm	2.970	3.100	3.170
4.21		Overall width	b ₁ /b ₂ mm	1.445		
4.22		Fork dimensions	s/e/l mm	50 / 125 / 1.150	50 / 150 / 1.150	60 / 150 / 1.150
4.23		Fork carriage connection class		3A		4A
4.24		Fork carriage width	b ₃ mm	1.260		
4.31		Ground clearance laden under mast	m ₁ mm	165	160	155
4.32		Ground clearance centre of wheelbase	m ₂ mm	205	200	
4.34		Aisle width (pallet 1000x1200 sideways)	A _{st} mm	4.439	4.514	4.601
4.34.1		Aisle width (pallet 800x1200 length)	A _{st} mm	4.639	4.714	4.801
4.35		Turning radius	W _a mm	2.675	2.750	2.822
4.36		Smallest pivot point distance	b ₁₃ mm	830	865	900
Performance data	5.1	Travel speed laden/unladen	km/h	18 / 19	18 / 18	
	5.2	Lift speed laden/unladen	m/s	0.53 / 0.55		
	5.3	Lowering speed laden/unladen	m/s	0.55 / 0.45		
	5.5	Drawbar pull laden/unladen	N	23.500 / 23.500		
	5.7	Gradeability laden/unladen	%	23.5 / 41	21.5 / 38	19 / 30
	5.9	Acceleration time laden/unladen	s	5.2 / 4.6	5.4 / 4.7	5.7 / 4.9
	5.10	Service brake		hydraulic		
	5.11	Parking brake		hydraulic		

V-engine	7.1	Motor manufacturer/type		Kubota WG3800		
	7.2	Motor power as per DIN ISO 1585	kW	64		
	7.3	Rated speed	1/min	2.200		
	7.4	Cylinder number/cubic capacity	st / cm ³	4 / 3.769		
	7.5.5	Fuel consumption as per EN 16796 (LPG)	kg/h	5,6	6	6,5
	7.5.6	CO2 equivalent as per EN 16796 (LPG)	kg/h	18,99	20,35	22,04
Miscellaneous	8.1	Type of drive control		hydrodynamic		
	10.1	Working pressure for attachment	bar	230		
	10.2	Oil flow for attachments	l/min	40		
	10.5	Steering version		hydraulic		
	10.7	Sound level as per EN12053, operator's ear	dB (A)	82		
<p>- In accordance with VDI Guideline 2198 this data sheet provides details of the standard truck only. Non-standard tyres, different masts, optional equipment, etc. may result in different values.</p>						

The German production facilities in
Norderstedt, Moosburg and Landsberg
are certified.

ISO 9001
ISO 14001

Jungheinrich fork lift trucks meet
European safety requirements.



 **JUNGHEINRICH**

The logo features a red upward-pointing arrow integrated into the letter 'J' of the word 'JUNGHEINRICH', which is written in a bold, black, sans-serif font.