

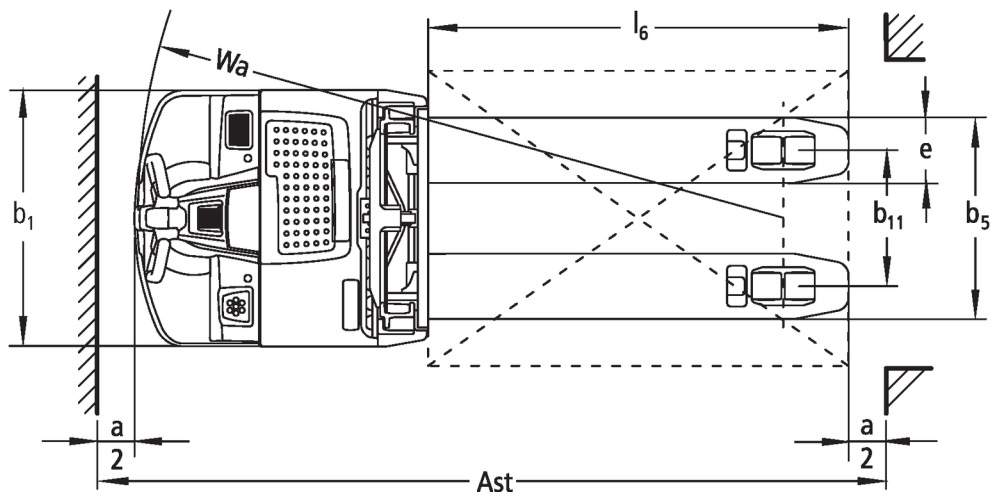
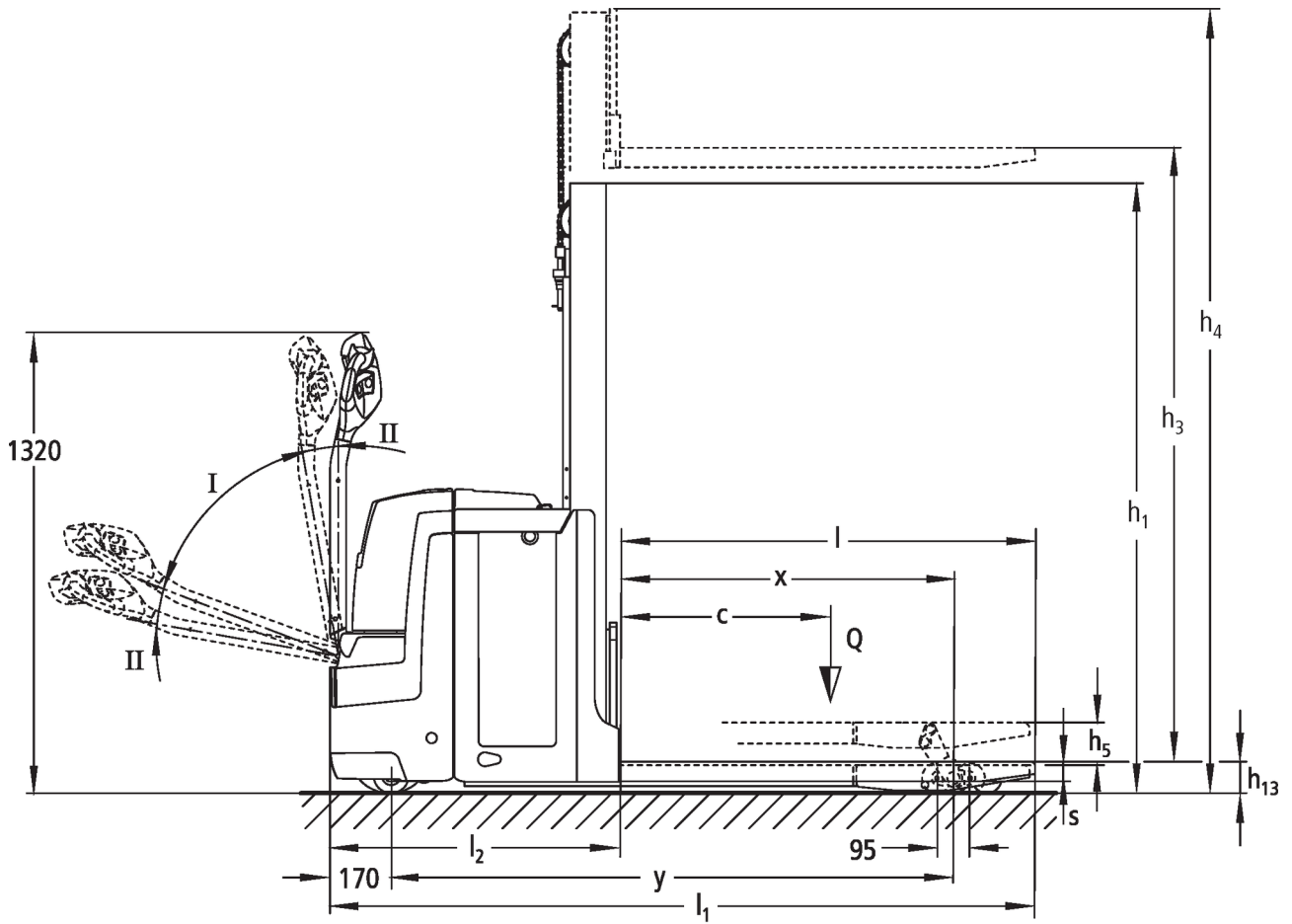


# Electric pedestrian pallet truck

## **EJD 220**

Lift height: 1660-2560 mm / Capacity: 2000 kg

# EJD 220



**I = Normal travel position; II = Crawl speed travel position**

# EJD 220

<b>EJD 220</b>	<b>Lift (h3)</b>	<b>Retracted mast height (h1)</b>	<b>Free lift (h2)</b>	<b>Extended mast height (h4)</b>
Duplex mast ZT	<b>1660 mm</b>	<b>1350 mm</b>	<b>100 mm</b>	<b>2150 mm</b>
	2010 mm	1530 mm	100 mm	2500 mm
	2100 mm	1570 mm	100 mm	2590 mm
	2560 mm	1810 mm	100 mm	3050 mm
Triplex mast DT	<b>2050 mm</b>	<b>1216 mm</b>	<b>100 mm</b>	<b>2540 mm</b>
	2350 mm	1314 mm	100 mm	2840 mm
	2500 mm	1366 mm	100 mm	2990 mm

# VDI table

Stand-on: 12/2019

Characteristic	1.1	Manufacturer (abbreviated description)		Jungheinrich	
	1.2	Manufacturer's type designation		<b>EJD 220</b>	
	1.3	Drive		Electric	
	1.4	Operation		Pedestrian	
	1.5	Capacity/load	Q	kg	2.000
	1.5.1	Rated capacity/load with mast lift	Q	kg	1.000
	1.5.2	Rated capacity/load with support arm lift	Q	kg	2.000
	1.6	Load centre distance	c	mm	600
	1.8	Load distance, centre of drive axle to fork	x	mm	957
1.9	Wheelbase	y	mm	1.617	
Weights	2.1.1	Service weight (incl. battery)		kg	945
	2.2	Axle load laden front/rear		kg	1.120 / 1.825
	2.3	Axle load unladen front/rear		kg	665 / 280
Wheels/suspension system	3.1	Tyres			PU
	3.2	Tyre size, front			Ø 230 x 70
	3.3	Tyre size, rear			Ø 85 x 95 / Ø 85 x 75
	3.4	Additional wheels			100 x 40
	3.5	Wheels, number front/back (x=driven)			1x +2/2
	3.6	Tread width, front	b <sub>10</sub>	mm	508
	3.7	Tread width, rear	b <sub>11</sub>	mm	385
Basic dimensions	4.4	Lift (h <sub>3</sub> )	h <sub>3</sub>	mm	1.660
	4.6	Initial lift	h <sub>5</sub>	mm	122
	4.9	Height of tiller handle in drive position min./max.		mm	711 / 1.320
	4.15	Height, lowered	h <sub>13</sub>	mm	90
	4.19	Overall length	l <sub>1</sub>	mm	2.022
	4.20	Length including fork shank	l <sub>2</sub>	mm	832
	4.21	Overall width	b <sub>1</sub> /b <sub>2</sub>	mm	726
	4.22	Fork dimensions	s/e/l	mm	56 / 185 / 1.190
	4.25	Width across forks (dimension 1), WaF	b <sub>5</sub>	mm	570
	4.32	Ground clearance centre of wheelbase	m <sub>2</sub>	mm	20
	4.34	Aisle width (pallet 1000x1200 sideways)	Ast	mm	2.233
	4.34.1	Aisle width (pallet 800x1200 length)	Ast	mm	2.243
	4.35	Turning radius	W <sub>a</sub>	mm	1.800
Performance data	5.1	Travel speed laden/unladen		km/h	6 / 6
	5.2	Lift speed laden/unladen		m/s	0.14 / 0.25
	5.3	Lowering speed laden/unladen		m/s	0.25 / 0.25
	5.8	Max. gradeability laden/unladen		%	9 / 15
	5.10	Service brake			generative
E-motor/Electronics	6.1	Drive motor, performance S2 60 min		kW	1.6
	6.2	Lift motor, performance with S3		kW	2
	6.3	Battery according to DIN 43531/35/36			DIN 43535 B
	6.4	Battery voltage / nominal capacity		V / Ah	24 / 250
	6.5	Battery weight		kg	220
	6.6.1	Energy consumption according to EN cycle		kWh/h	0.59
	6.6.2	CO2 equivalent as per EN 16796		kg/h	0,32
6.7	Throughput		t/h	37	

	6.8.1	Energy consumption with max. throughput	kWh/h	0.95
Miscellaneous	8.1	Type of drive control		AC speedCONTROL
	10.7	Sound level as per EN12053, operator's ear	dB (A)	70
- In accordance with VDI Guideline 2198 this data sheet provides details of the standard truck only. Non-standard tyres, different masts, optional equipment, etc. may result in different values.				

- 1.8: Load section lowered: + 48 mm - 1.9: Load section lowered: + 48 mm. With long battery compartment L (375 Ah) + 72 mm - 4.19: With long battery compartment L (375 Ah) + 72 mm - 4.20: With long battery compartment L (375 Ah) + 72 mm - 4.33: Diagonal as per VDI: + 369 mm - 4.34: Diagonal as per VDI: + 225 mm - 4.35: Load section lowered: + 48 mm. With long battery compartment L (375 Ah) + 72 mm

The German production facilities in  
Norderstedt, Moosburg and Landsberg  
are certified.

ISO 9001  
ISO 14001

Jungheinrich fork lift trucks meet  
European safety requirements.



 **JUNGHEINRICH**

The logo features a red upward-pointing arrow integrated into the letter 'J' of the word 'JUNGHEINRICH', which is written in a bold, black, sans-serif font.