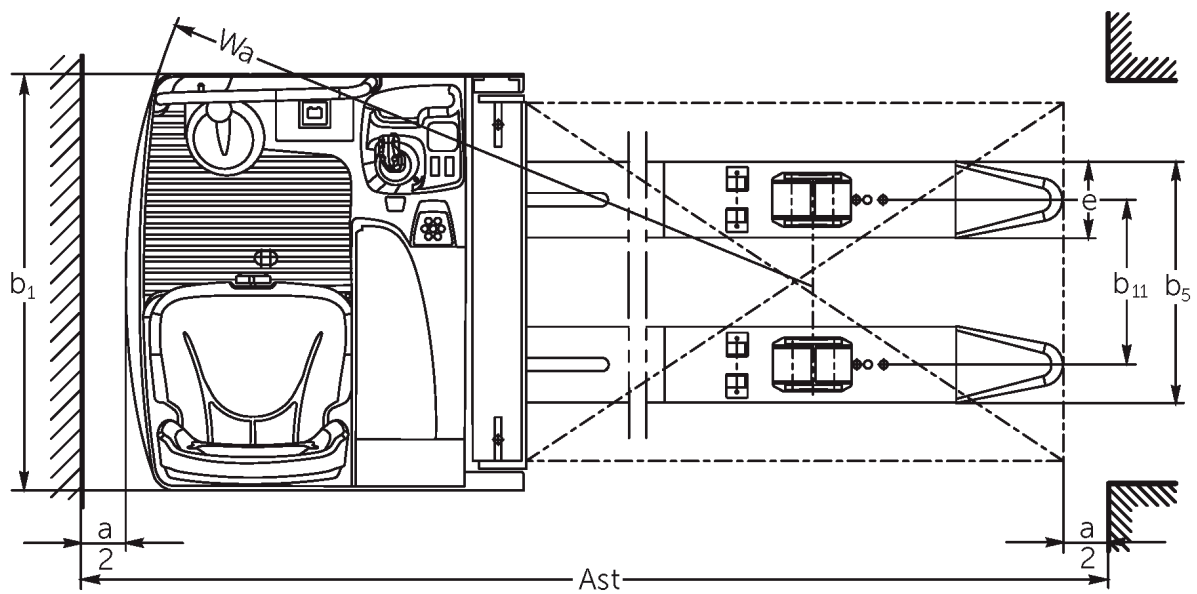
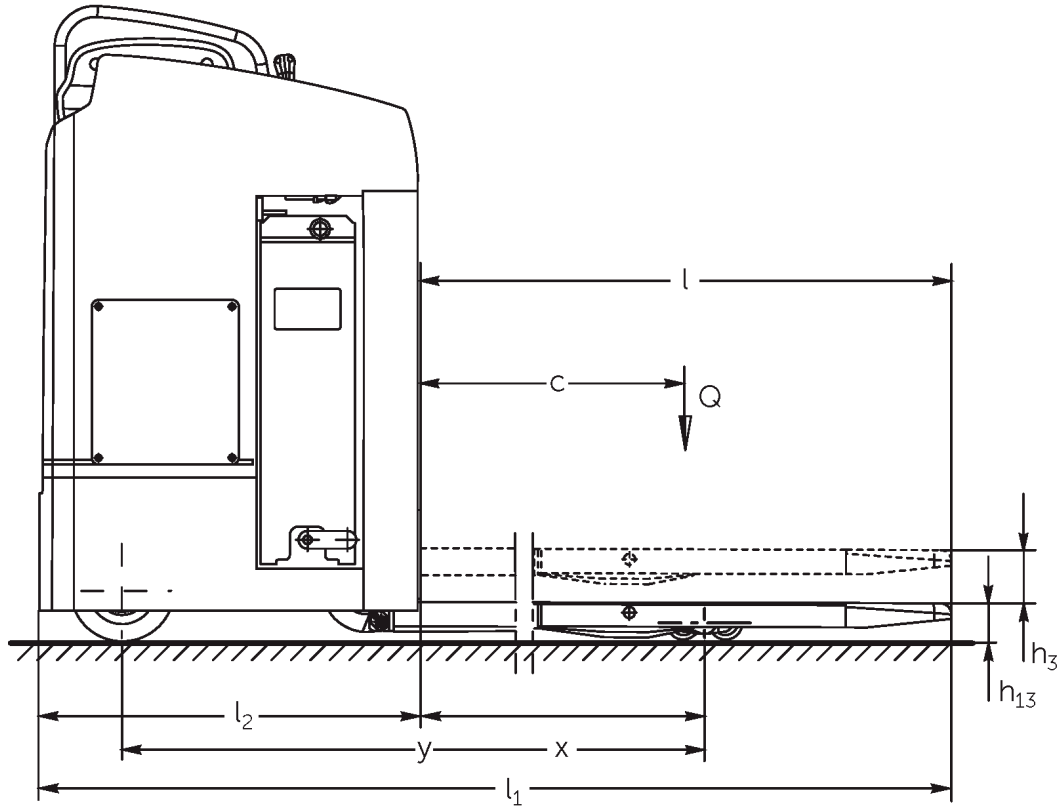




## **Electric sideways-seated pallet truck** **ESE 220-320**

**Lift height: 125 mm / Load capacity: 2000 kg**

# ESE 220-320



# VDI table

Stand-on: 04/2022

Characteristic	1.1	Manufacturer (abbreviated description)		Jungheinrich	
	1.2	Manufacturer's type designation		<b>ESE 220-320</b>	
	1.3	Drive		Elektro	
	1.4	Operation		Sitz	
	1.5	Load capacity/load	Q kg	2000	
	1.6	Load centre distance	c mm	600	
	1.8	Load distance, centre of drive axle to fork	x mm	868	
	1.9	Wheelbase	y mm	1535	1541
	Weights	2.1.1	Service weight (incl. battery)	kg	1062
2.2		Axle load laden front/rear	kg	1896 / 1142	1902 / 1182
2.3		Axle load unladen front/rear	kg	258 / 808	264 / 816
Wheels/suspension system	3.1	Tyres		Polyurethan (PU)	
	3.2	Tyre size, front		Ø 230 x 78	
	3.3	Tyre size, rear		Ø 85x85	
	3.4	Additional wheels		Ø 140 x 54	
	3.5	Wheels, number front/back (x=driven)		2 - 1x / 4	1+1x/4
	3.6	Tread width, front	b <sub>10</sub> mm	544	645
	3.7	Tread width, rear	b <sub>11</sub> mm	385	
Basic dimensions	4.4	Lift (h <sub>3</sub> )	h <sub>3</sub> mm	125	
	4.8	Seat height/stand height	h <sub>7</sub> mm	1020	
	4.15	Height, lowered	h <sub>13</sub> mm	90	
	4.19	Overall length	l <sub>1</sub> mm	2009	
	4.20	Length including fork shank	l <sub>2</sub> mm	859	
	4.21.1	Overall width	b <sub>1</sub> mm	820	930
	4.22	Fork dimensions	s/e/l mm	60 x 172 x 1150	
	4.25	Width across forks	b <sub>5</sub> mm	540	
	4.32	Ground clearance centre of wheelbase	m <sub>2</sub> mm	25	
	4.34.1	Aisle width (pallet 800x1200 length)	A <sub>st</sub> mm	2197	2215
	4.35	Turning radius	W <sub>a</sub> mm	1665	1683
Performance data	5.1	Travel speed laden/unladen	km/h	10 / 12.5	
	5.2	Lift speed laden/unladen	m/s	0.06 / 0.07	
	5.3	Lowering speed laden/unladen	m/s	0.06 / 0.05	
	5.8	Max. gradeability laden/unladen	%	8 / 13	
	5.10	Service brake		elektrisch	
E-motor/Electronics	6.1	Drive motor, performance S2 60 min	kW	2.8	
	6.2	Lift motor, performance with S3	kW	1.5	
	6.3	Battery according to DIN 43531/35/36		nein	
	6.4	Battery voltage/nominal capacity	V / Ah	24 / 465	
	6.5	Battery weight	kg	380	
	6.6.1	Energy consumption according to EN cycle	kWh/h	0.41	0.43
	6.6.2	CO2 equivalent as per EN 16796	kg/h	0.2	
Other	8.1	Type of drive control		AC	

- This data sheet according to VDI guideline 2198 only states the technical values of the standard truck. Different tyres, other masts, additional equipment etc. may result in different values.

The German production facilities in  
Norderstedt, Moosburg and Landsberg  
are certified.

ISO 9001  
ISO 14001

Jungheinrich fork lift trucks meet  
European safety requirements.



 **JUNGHEINRICH**

The Jungheinrich logo, featuring a red upward-pointing arrow above the word 'JUNGHEINRICH' in a bold, black, sans-serif font.