

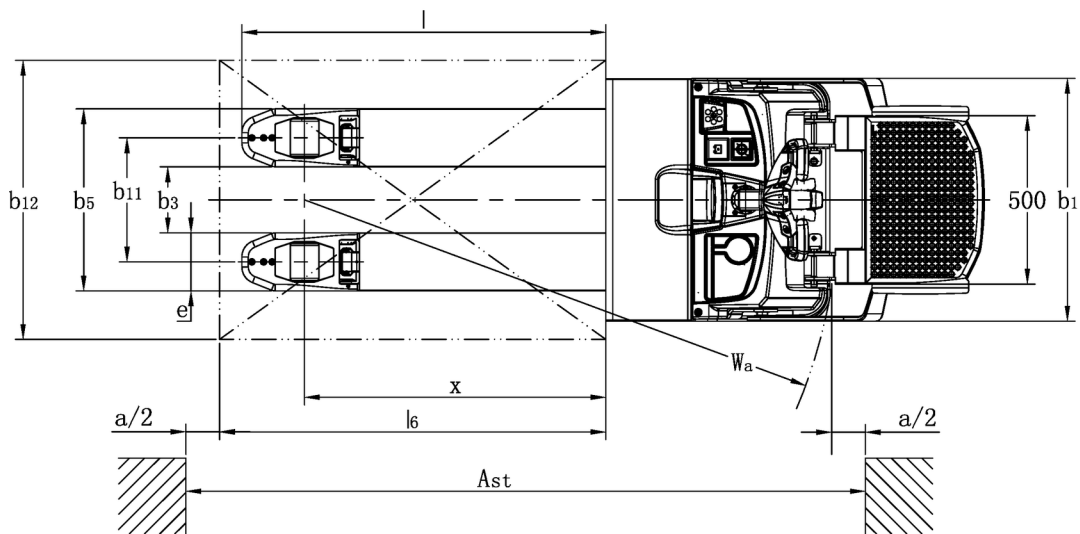
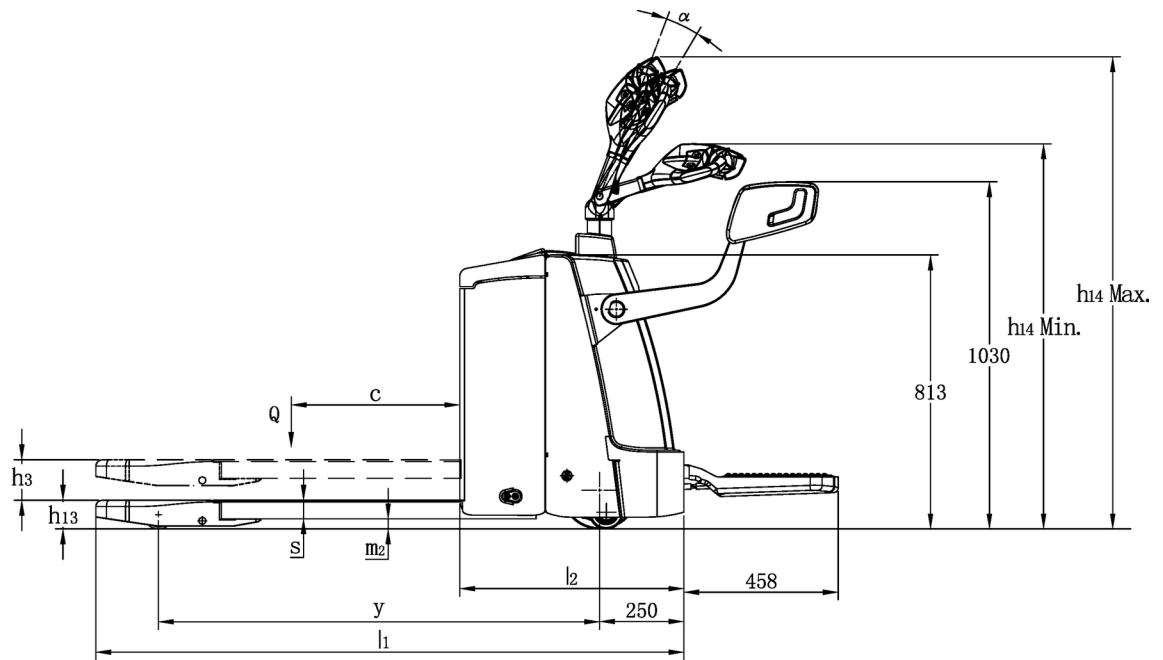


Electric ride-on/pedestrian pallet truck

EJR 120n

Lift height: 120 mm / Load capacity: 2000 kg

EJR 120n



VDI table

Stand-on: 04/2022

Characteristic	1.1	Manufacturer (abbreviated description)		Jungheinrich	
	1.2	Manufacturer's type designation		EJR 120n	
	1.3	Drive		Elektro	
	1.4	Operation		Stand/Geh	
	1.5	Load capacity/load	Q	kg	2000
	1.6	Load centre distance	c	mm	600
	1.8	Load distance, centre of drive axle to fork	x	mm	965
	1.9	Wheelbase	y	mm	1370
	Weights	2.1.1	Service weight (incl. battery)		kg
2.2		Axle load laden front/rear		kg	905 / 1670
2.3		Axle load unladen front/rear		kg	440 / 135
Wheels/suspension system	3.1	Tyres			Polyurethan (PU)
	3.2	Tyre size, front			230x70
	3.3	Tyre size, rear			85x110/85x85
	3.4	Additional wheels			100x40
	3.5	Wheels, number front/back (x=driven)			1x+2/2or4
	3.6	Tread width, front	b ₁₀	mm	508
	3.7	Tread width, rear	b ₁₁	mm	368
Basic dimensions	4.4	Lift (h ₃)	h ₃	mm	120
	4.9	Height of tiller handle in drive position min./max.		mm	1150 / 1410
	4.15	Height, lowered	h ₁₃	mm	85
	4.19	Overall length	l ₁	mm	1820
	4.20	Length including fork shank	l ₂	mm	665
	4.21.1	Overall width	b ₁	mm	720
	4.21.2	Overall width	b ₂	mm	720
	4.22	Fork dimensions	s/e/l	mm	55 x 172 x 1150
	4.25	Width across forks	b ₅	mm	540
	4.32	Ground clearance centre of wheelbase	m ₂	mm	30
	4.34	Aisle width (pallet 1000x1200 sideways)	A _{st}	mm	1865
	4.34.1	Aisle width (pallet 800x1200 length)	A _{st}	mm	2065
	4.35	Turning radius	W _a	mm	1680
Performance data	5.1	Travel speed laden/unladen		km/h	6 / 6
	5.2	Lift speed laden/unladen		m/s	0.05 / 0.07
	5.3	Lowering speed laden/unladen		m/s	0.06 / 0.04
	5.8	Max. gradeability laden/unladen		%	8 / 15
	5.10	Service brake			elektrisch
E-motor/Electronics	6.1	Drive motor, performance S2 60 min		kW	1
	6.2	Lift motor, performance with S3		kW	2.2
	6.3	Battery according to DIN 43531/35/36			DIN 43531 B
	6.4	Battery voltage/nominal capacity		V / Ah	24 / 180
	6.5	Battery weight		kg	180
	6.6.1	Energy consumption according to EN cycle		kWh/h	0.36
	6.6.2	CO2 equivalent as per EN 16796		kg/h	0.2

Other	8.1	Type of drive control		AC
	10.7	Sound level as per EN12053, operator's ear	dB (A)	70

- This data sheet according to VDI guideline 2198 only states the technical values of the standard truck. Different tyres, other masts, additional equipment etc. may result in different values.

The German production facilities in
Norderstedt, Moosburg and Landsberg
are certified.

ISO 9001
ISO 14001

 **JUNGHEINRICH**