

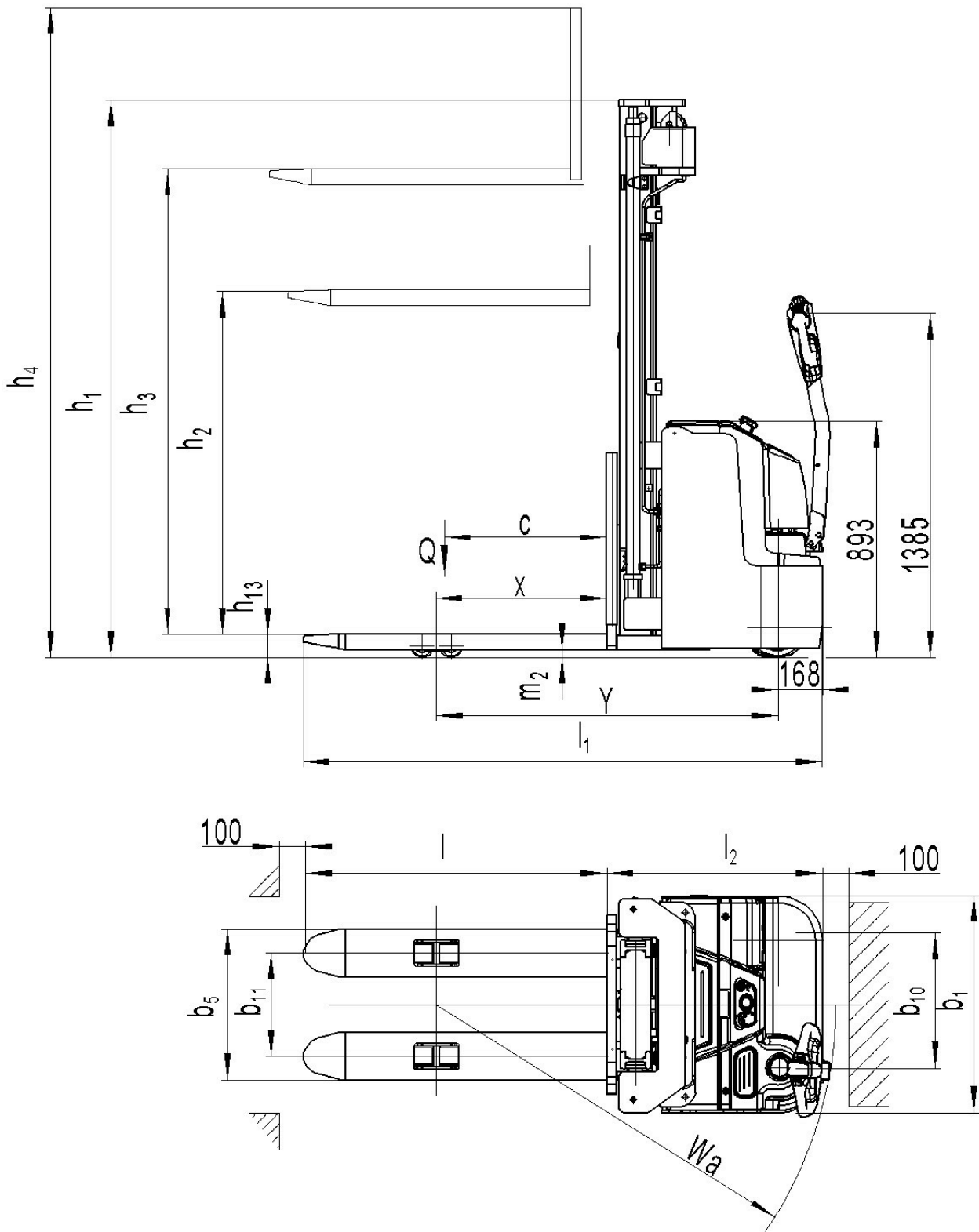


## **Electric pedestrian stacker** **EJC BB 216**

**Lift height: 2810-5210 mm / Load capacity: 1600 kg**

**JUNGHEINRICH**

# EJC BB 216



# VDI table

Stand-on: 04/2022

Characteristic	1.1	Manufacturer (abbreviated description)		Jungheinrich											
	1.2	Manufacturer's type designation		EJC BB 216											
	1.3	Drive		Elektro											
	1.4	Operation		Geh											
	1.5	Load capacity/load	Q kg	1600											
	1.6	Load centre distance	c mm	600											
	1.8	Load distance, centre of drive axle to fork	x mm	647											
	1.9	Wheelbase	y mm	1293											
	Weights	2.1	Service weight	kg	1190	1220	1315	1330	1360	1190	1220	1315	1330	1360	
2.2		Axle load laden front/rear	kg	855 / 1935	870 / 1950	917 / 1998	925 / 2005	940 / 2020	855 / 1935	870 / 1950	917 / 1998	925 / 2005	940 / 2020		
2.3		Axle load unladen front/rear	kg	775 / 415	790 / 430	837 / 478	845 / 485	860 / 500	775 / 415	790 / 430	837 / 478	845 / 485	860 / 500		
Wheels/suspension system	3.1	Tyres		Polyurethan (PU)											
	3.2	Tyre size, front		Ø230 x 70											
	3.3	Tyre size, rear		Ø84 x 70											
	3.4	Additional wheels		Ø150 x 54											
	3.5	Wheels, number front/back (x=driven)		1x+1/4											
	3.6	Tread width, front	b <sub>10</sub> mm	522					552	522					
	3.7	Tread width, rear	b <sub>11</sub> mm	390											
Basic dimensions	4.2	Retracted mast height (h1)	h <sub>1</sub> mm	1958	2308	2008	2108	2343	1958	2308	2008	2108	2343		
	4.3	Free lift (h2)	h <sub>2</sub> mm	-		1420	1520	1756	-		1420	1520	1756		
	4.4	Lift (h3)	h <sub>3</sub> mm	2830	3530	4230	4530	5230	2830	3530	4230	4530	5230		
	4.5	Extended mast height (h4)	h <sub>4</sub> mm	3380	4080	4780	5080	5780	3380	4080	4780	5080	5780		
	4.9	Height of tiller handle in drive position min./max.	mm	850 / 1385											
	4.15	Height, lowered	h <sub>13</sub> mm	90											
	4.19	Overall length	l <sub>1</sub> mm	1964											
	4.20	Length including fork shank	l <sub>2</sub> mm	814											
	4.21.1	Overall width	b <sub>1</sub> mm	820											
	4.22	Fork dimensions	s/ e/l mm	60 x 180 x 1150											
	4.25	Width across forks	b <sub>5</sub> mm	570					685						
	4.32	Ground clearance centre of wheelbase	m <sub>2</sub> mm	28											
	4.34	Aisle width (pallet 1000x1200 sideways)	Ast mm	2406											
	4.34.1	Aisle width (pallet 800x1200 length)	Ast mm	2393											
4.35	Turning radius	W <sub>a</sub> mm	1510												
Performance data	5.1	Travel speed laden/unladen	km/h	5.7 / 6											
	5.2	Lift speed laden/unladen	m/s	0.13 / 0.2											
	5.3	Lowering speed laden/unladen	m/s	0.28 / 0.23											
	5.8	Max. gradeability laden/unladen	%	6 / 12											
	5.10	Service brake		elektromagnetisch											

E-motor/Electronics	6.1	Drive motor, performance S2 60 min	kW	1.3
	6.2	Lift motor, performance with S3	kW	3.2
	6.4	Battery voltage/nominal capacity	V / Ah	24 / 270
	6.5	Battery weight	kg	235
Other	8.1	Type of drive control		AC
	10.7	Sound level as per EN12053, operator's ear	dB (A)	70
<p>- This data sheet according to VDI guideline 2198 only states the technical values of the standard truck. Different tyres, other masts, additional equipment etc. may result in different values.</p>				

The German production facilities in  
Norderstedt, Moosburg and Landsberg  
are certified.

ISO 9001  
ISO 14001

 **JUNGHEINRICH**