

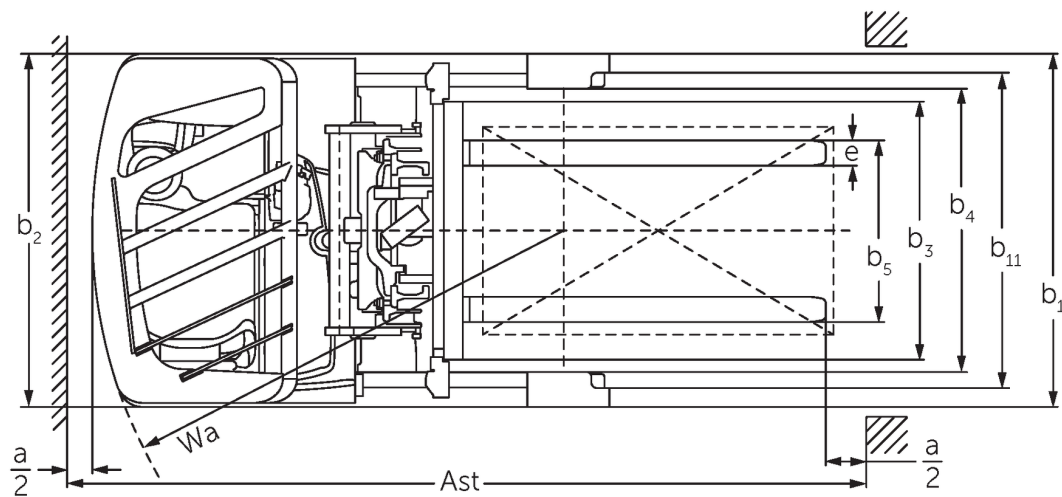
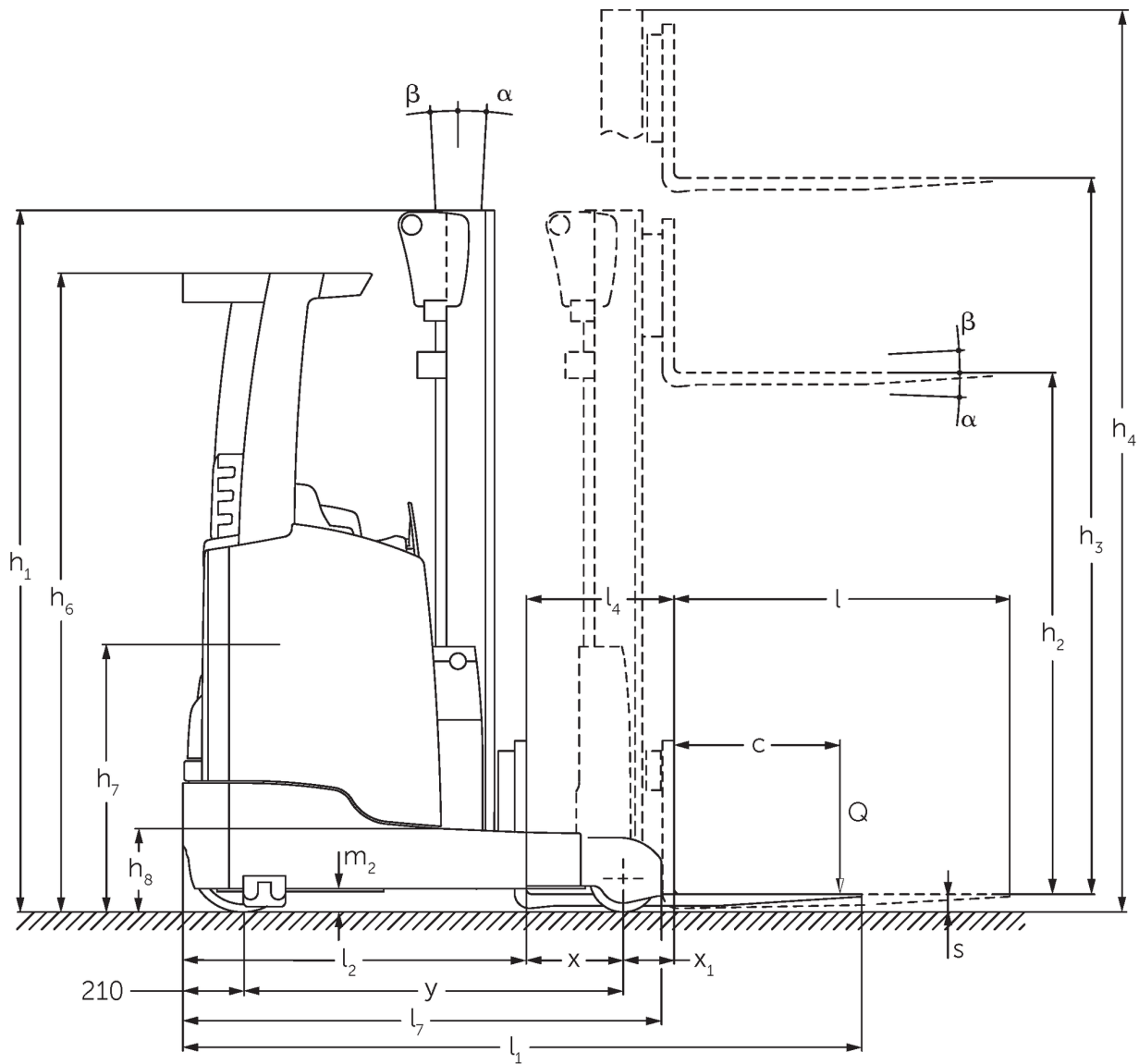


Elektro-Schubmaststapler

ETV 110 / 112

Lift height: 4550-7100 mm / Load capacity: 1000-1200 kg

ETV 110 / 112



ETV 110 / 112

ETV 110 , ETV 112	Lift (h3)	Retracted mast height (h1)	Free lift (h2)	Extended mast height (h4)	Forward/backward tilt of mast
Mastneigung / Dreifach-Hubgerüst DZ / warmgewalzt	4550 mm	2050 mm	1408 mm	5192 mm	1 / 3 °
	5000 mm	2200 mm	1558 mm	5642 mm	1 / 3 °
	5240 mm	2280 mm	1638 mm	5882 mm	1 / 3 °
	5300 mm	2300 mm	1658 mm	5942 mm	1 / 3 °
	5600 mm	2400 mm	1758 mm	6242 mm	1 / 3 °
	5900 mm	2500 mm	1858 mm	6542 mm	1 / 3 °
	6200 mm	2600 mm	1958 mm	6842 mm	1 / 3 °
	6500 mm	2700 mm	2058 mm	7142 mm	0.5 / 2 °
	6800 mm	2800 mm	2158 mm	7442 mm	0.5 / 2 °
	7100 mm	2900 mm	2258 mm	7742 mm	0.5 / 2 °

VDI table

Stand-on: 11/2021

		Jungheinrich		
		ETV 110		ETV 112
Characteristic	1.1	Manufacturer (abbreviated description)		
	1.2	Manufacturer's type designation		
	1.3	Drive	Elektro	
	1.4	Operation	Quersitz	
	1.5	Load capacity/load	Q kg	1000 1200
	1.6	Load centre distance	c mm	600
	1.8	Load distance, centre of drive axle to fork	x mm	339 424
	1.8.1	Load distance, centre of drive axle to fork, mast extended	mm	170
	1.9	Wheelbase	y mm	1300 1385
Weights	2.1.1	Service weight (incl. battery)	kg	2560 2580
	2.3	Axle load unladen front/rear	kg	1587 / 973 1587 / 993
	2.4	Axle load fork forward laden front/rear	kg	634 / 2926 516 / 3264
	2.5	Axle load fork back laden front/rear	kg	1282 / 2278 1361 / 2419
Wheels/suspension system	3.1	Tyres	Polyurethan (PU)	
	3.2	Tyre size, front	Ø 343 x 114	
	3.3	Tyre size, rear	Ø 230 x 85	
	3.5	Wheels, number front/back (x=driven)	1x / 2	
	3.7	Tread width, rear	b ₁₁ mm	993
Basic dimensions	4.2	Retracted mast height (h1)	h ₁ mm	2300
	4.3	Free lift (h2)	h ₂ mm	1658
	4.4	Lift (h3)	h ₃ mm	5300
	4.5	Extended mast height (h4)	h ₄ mm	5942
	4.7	Height of overhead guard (cab)	h ₆ mm	2190
	4.8	Seat height/stand height	h ₇ mm	1057
	4.10	Height of support arms	h ₈ mm	265
	4.19	Overall length	l ₁ mm	2321
	4.19.4	Length including fork length	l ₁ mm	2324
	4.20	Length including fork shank	l ₂ mm	1174
	4.21.1	Overall width	b ₁ mm	1120
	4.21.2	Overall width	b ₂ mm	1120
	4.22	Fork dimensions	s/e/l mm	40 x 80 x 1150
	4.23	Fork carriage connection class		2B
	4.24	Fork carriage width	b ₃ mm	800
	4.25	Width across forks	b ₅ mm	296
	4.25.1	Width across forks (min./max.)	b ₅ mm	296 / 677
	4.26	Width between support arms/loading areas	b ₄ mm	900
	4.28	Reach distance	mm	509 594
	4.32	Ground clearance centre of wheelbase	m ₂ mm	80
	4.34	Aisle width (pallet 1000x1200 sideways)	Ast mm	2608 2627
4.34.1	Aisle width (pallet 800x1200 length)	Ast mm	2664 2668	
4.35	Turning radius	W _a mm	1515 1595	
4.37	Length over the support arms	L ₇ mm	1640 1725	
Performance data	5.1	Travel speed laden/unladen	km/h	11 / 11
	5.2	Lift speed laden/unladen	m/s	0.48 / 0.7 0.43 / 0.7
	5.3	Lowering speed laden/unladen	m/s	0.5 / 0.5
	5.4	Reach speed laden/unladen	m/s	0.2 / 0.2
	5.7	Gradeability laden/unladen	%	7 / 10

	5.8	Max. gradeability laden/unladen	%	10 / 15	
	5.9	Acceleration time laden/unladen	s	4.8 / 4.3	4.9 / 4.5
	5.10	Service brake		elektrisch	
E-motor/Electronics	6.1	Drive motor, performance S2 60 min	kW	6	
	6.2	Lift motor, performance with S3	kW	13.3	
	6.3	Battery according to DIN 43531/35/36		DIN 43531 B	
	6.4	Battery voltage/nominal capacity	V / Ah	48 / 280	
	6.5	Battery weight	kg	556	
	6.6.1	Energy consumption according to EN cycle	kWh/h	2.81	3.05
	6.6.2	CO2 equivalent as per EN 16796	kg/h	1.5	1.7
	6.7	Throughput	t/h	38.63	46.65
	6.8.1	Energy consumption with max. throughput	kWh/h	2.89	3.06
Other	8.1	Type of drive control		Impuls/ Mosfet AC	
	10.1	Operating pressure for attachment	bar	150	
	10.2	Oil flow for attachments	l/min	20	
	10.7	Sound level as per EN12053, operator's ear	dB (A)	68	

- This data sheet according to VDI guideline 2198 only states the technical values of the standard truck. Different tyres, other masts, additional equipment etc. may result in different values.

The German production facilities in
Norderstedt, Moosburg and Landsberg
are certified.

ISO 9001
ISO 14001

Jungheinrich fork lift trucks meet
European safety requirements.



 **JUNGHEINRICH**

The Jungheinrich logo, featuring a red upward-pointing arrow above the word 'JUNGHEINRICH' in a bold, black, sans-serif font.